



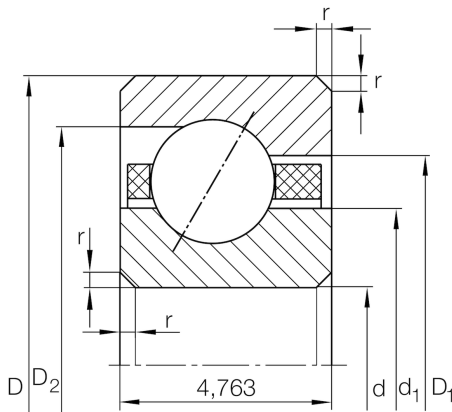
CSEAA010-TV

Angular contact ball bearing

Schaeffler ID:
0071428030000

Angular contact ball bearing, Thin section
bearing CSEAA..-TV, plastic cage

Technical information



Main Dimensions & Performance Data

d	25,4 mm	Bore diameter
D	34,925 mm	Outside diameter
B	4,763 mm	Width
C_r	1.780 N	Basic dynamic load rating, radial
C_{0r}	1.260 N	Basic static load rating, radial
n_G	20.300 1/min	Limiting speed
$\approx m$	10 g	Weight

Dimensions

r_{\min}	0,38 mm	Minimum chamfer dimension
d_1	29 mm	Shoulder diameter inner ring
D_1	31,4 mm	Shoulder diameter on outer ring wide side face
D_2	32,4 mm	Shoulder diameter on outer ring small side face
α	30 °	Contact angle

Temperature range

T_{\min}	-30 °C	Operating temperature min.
T_{\max}	120 °C	Operating temperature max.