



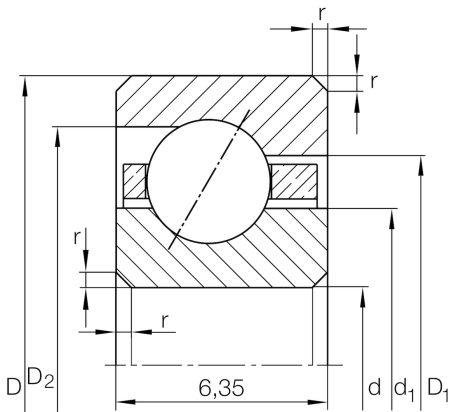
## CSEA047

Angular contact ball bearing

Schaeffler ID:  
0027058340000

Angular contact ball bearing, Thin section  
bearing CSEA, brass sheet metal cage

### Technical information



### Main Dimensions & Performance Data

d	120,65 mm	Bore diameter
D	133,35 mm	Outside diameter
B	6,35 mm	Width
$C_r$	4.450 N	Basic dynamic load rating, radial
$C_{0r}$	7.100 N	Basic static load rating, radial
$n_G$	4.600 1/min	Limiting speed
$\approx m$	100 g	Weight

### Dimensions

$r_{\min}$	0,6 mm	Minimum chamfer dimension
$d_1$	125,3 mm	Shoulder diameter inner ring
$D_1$	128,6 mm	Shoulder diameter on outer ring wide side face
$D_2$	129,9 mm	Shoulder diameter on outer ring small side face
$\alpha$	30 °	Contact angle

### Temperature range

$T_{\min}$	-30 °C	Operating temperature min.
$T_{\max}$	120 °C	Operating temperature max.