



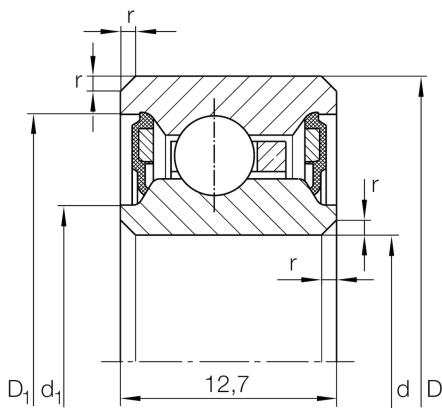
CSCU080-2RS

Deep groove ball bearing

Schaeffler ID:
0010365480000

Deep groove ball bearing, Thin section bearing CSCU..-2RS, seals, brass sheet metal cage

Technical information



Main Dimensions & Performance Data

d	203,2 mm	Bore diameter
D	222,25 mm	Outside diameter
B	12,7 mm	Width
C_r	10.000 N	Basic dynamic load rating, radial
C_{0r}	16.200 N	Basic static load rating, radial
n_G	1.290 1/min	Limiting speed
$\approx m$	480 g	Weight

Dimensions

r_{min}	0,38 mm	Minimum chamfer dimension
d_1	207 mm	Caliber diameter inner ring
D_1	216,8 mm	Caliber diameter outer ring

Temperature range

T_{min}	-25 °C	Operating temperature min.
T_{max}	120 °C	Operating temperature max.