



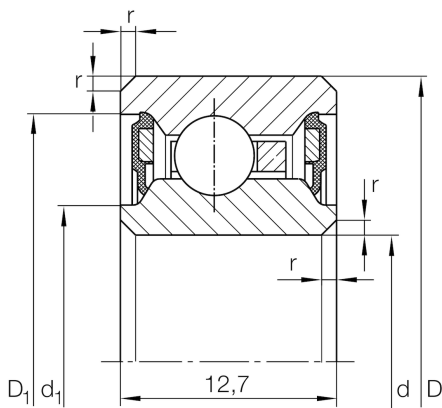
## CSCU055-2RS

Deep groove ball bearing

Schaeffler ID:  
0031561330000

Deep groove ball bearing, Thin section bearing CSCU..-2RS, seals, brass sheet metal cage

### Technical information



#### Main Dimensions & Performance Data

d	139,7 mm	Bore diameter
D	158,75 mm	Outside diameter
B	12,7 mm	Width
C <sub>r</sub>	8.700 N	Basic dynamic load rating, radial
C <sub>0r</sub>	11.200 N	Basic static load rating, radial
n <sub>G</sub>	1.850 1/min	Limiting speed
≈m	340 g	Weight

#### Dimensions

r <sub>min</sub>	0,38 mm	Minimum chamfer dimension
d <sub>1</sub>	143,5 mm	Caliber diameter inner ring
D <sub>1</sub>	153,5 mm	Caliber diameter outer ring

#### Temperature range

T <sub>min</sub>	-25 °C	Operating temperature min.
T <sub>max</sub>	120 °C	Operating temperature max.