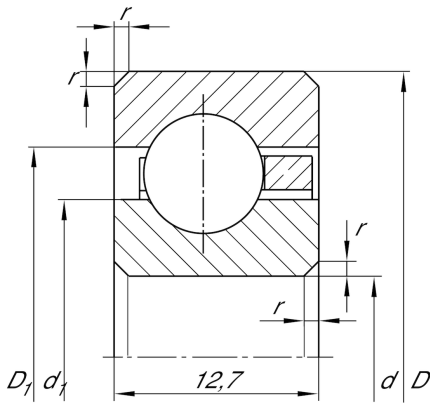


**CSCD110**

Deep groove ball bearing

Deep groove ball bearing, Thin section bearing CSCD, brass sheet metal cage

## Technical information

**Main Dimensions & Performance Data**

|                 |             |                                   |
|-----------------|-------------|-----------------------------------|
| d               | 279,4 mm    | Bore diameter                     |
| D               | 304,8 mm    | Outside diameter                  |
| B               | 12,7 mm     | Width                             |
| C <sub>r</sub>  | 17.600 N    | Basic dynamic load rating, radial |
| C <sub>0r</sub> | 32.000 N    | Basic static load rating, radial  |
| n <sub>G</sub>  | 1.870 1/min | Limiting speed                    |
| ≈m              | 0,93 kg     | Weight                            |

**Dimensions**

|                  |          |                              |
|------------------|----------|------------------------------|
| r <sub>min</sub> | 1,5 mm   | Minimum chamfer dimension    |
| d <sub>1</sub>   | 288,8 mm | Shoulder diameter inner ring |
| D <sub>1</sub>   | 295,4 mm | Shoulder diameter outer ring |

**Temperature range**

|                  |        |                            |
|------------------|--------|----------------------------|
| T <sub>min</sub> | -30 °C | Operating temperature min. |
| T <sub>max</sub> | 120 °C | Operating temperature max. |