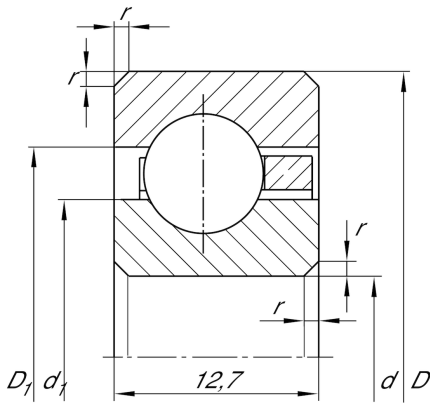


**CSCD100**

Deep groove ball bearing

Deep groove ball bearing, Thin section bearing CSCD, brass sheet metal cage

Technical information

**Main Dimensions & Performance Data**

d	254 mm	Bore diameter
D	279,4 mm	Outside diameter
B	12,7 mm	Width
C _r	17.100 N	Basic dynamic load rating, radial
C _{0r}	29.000 N	Basic static load rating, radial
n _G	2.060 1/min	Limiting speed
≈m	0,85 kg	Weight

Dimensions

r _{min}	1,5 mm	Minimum chamfer dimension
d ₁	263,4 mm	Shoulder diameter inner ring
D ₁	270 mm	Shoulder diameter outer ring

Temperature range

T _{min}	-30 °C	Operating temperature min.
T _{max}	120 °C	Operating temperature max.