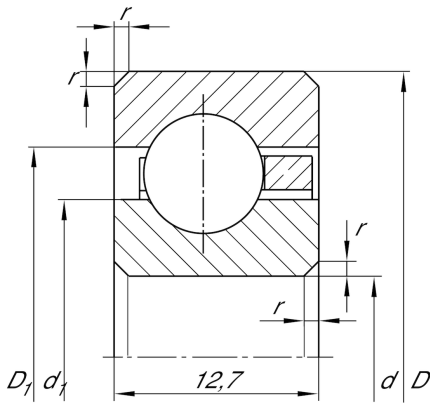


**CSCD090**

Deep groove ball bearing

Deep groove ball bearing, Thin section bearing CSCD, brass sheet metal cage

Technical information

**Main Dimensions & Performance Data**

d	228,6 mm	Bore diameter
D	254 mm	Outside diameter
B	12,7 mm	Width
C _r	16.400 N	Basic dynamic load rating, radial
C _{0r}	26.000 N	Basic static load rating, radial
n _G	2.280 1/min	Limiting speed
≈m	0,78 kg	Weight

Dimensions

r _{min}	1,5 mm	Minimum chamfer dimension
d ₁	238 mm	Shoulder diameter inner ring
D ₁	244,6 mm	Shoulder diameter outer ring

Temperature range

T _{min}	-30 °C	Operating temperature min.
T _{max}	120 °C	Operating temperature max.