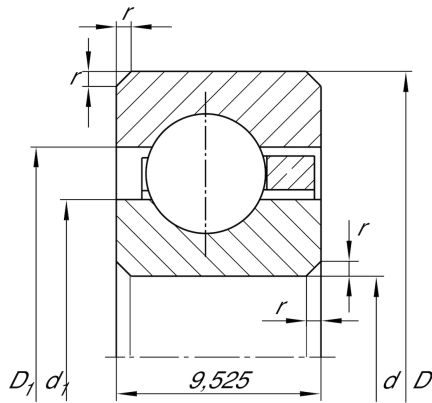


**CSCC080**

Deep groove ball bearing

Deep groove ball bearing, Thin section bearing CSCC, brass sheet metal cage

Technical information

**Main Dimensions & Performance Data**

| | | |
|-----------------|-------------|-----------------------------------|
| d | 203,2 mm | Bore diameter |
| D | 222,25 mm | Outside diameter |
| B | 9,525 mm | Width |
| C _r | 10.000 N | Basic dynamic load rating, radial |
| C _{0r} | 16.200 N | Basic static load rating, radial |
| n _G | 2.650 1/min | Limiting speed |
| ≈m | 380 g | Weight |

Dimensions

| | | |
|------------------|----------|------------------------------|
| r _{min} | 1 mm | Minimum chamfer dimension |
| d ₁ | 210,2 mm | Shoulder diameter inner ring |
| D ₁ | 215,5 mm | Shoulder diameter outer ring |

Temperature range

| | | |
|------------------|--------|----------------------------|
| T _{min} | -30 °C | Operating temperature min. |
| T _{max} | 120 °C | Operating temperature max. |