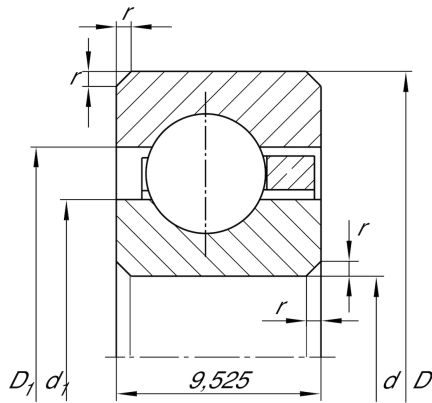


**CSCC075**

Deep groove ball bearing

Deep groove ball bearing, Thin section bearing CSCC, brass sheet metal cage

## Technical information

**Main Dimensions & Performance Data**

d	190,5 mm	Bore diameter
D	209,55 mm	Outside diameter
B	9,525 mm	Width
C <sub>r</sub>	9.800 N	Basic dynamic load rating, radial
C <sub>0r</sub>	15.200 N	Basic static load rating, radial
n <sub>G</sub>	2.800 1/min	Limiting speed
≈m	350 g	Weight

**Dimensions**

r <sub>min</sub>	1 mm	Minimum chamfer dimension
d <sub>1</sub>	197,5 mm	Shoulder diameter inner ring
D <sub>1</sub>	202,5 mm	Shoulder diameter outer ring

**Temperature range**

T <sub>min</sub>	-30 °C	Operating temperature min.
T <sub>max</sub>	120 °C	Operating temperature max.