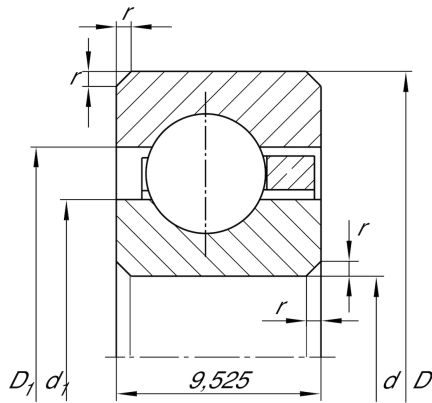


**CSCC060**

Deep groove ball bearing

Deep groove ball bearing, Thin section bearing CSCC, brass sheet metal cage

Technical information

**Main Dimensions & Performance Data**

d	152,4 mm	Bore diameter
D	171,45 mm	Outside diameter
B	9,525 mm	Width
C _r	9.000 N	Basic dynamic load rating, radial
C _{0r}	12.200 N	Basic static load rating, radial
n _G	3.500 1/min	Limiting speed
≈m	290 g	Weight

Dimensions

r _{min}	1 mm	Minimum chamfer dimension
d ₁	159,4 mm	Shoulder diameter inner ring
D ₁	164,4 mm	Shoulder diameter outer ring

Temperature range

T _{min}	-30 °C	Operating temperature min.
T _{max}	120 °C	Operating temperature max.