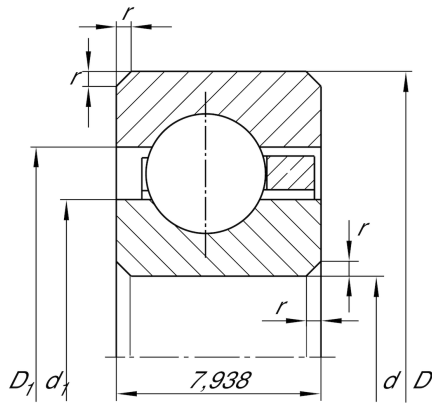


**CSCB042**

Deep groove ball bearing

Deep groove ball bearing, Thin section bearing CSCB, brass sheet metal cage

Technical information

**Main Dimensions & Performance Data**

d	107,95 mm	Bore diameter
D	123,825 mm	Outside diameter
B	7,938 mm	Width
C _r	6.200 N	Basic dynamic load rating, radial
C _{0r}	7.300 N	Basic static load rating, radial
n _G	5.000 1/min	Limiting speed
≈m	140 g	Weight

Dimensions

r _{min}	1 mm	Minimum chamfer dimension
d ₁	113,8 mm	Shoulder diameter inner ring
D ₁	117,9 mm	Shoulder diameter outer ring

Temperature range

T _{min}	-30 °C	Operating temperature min.
T _{max}	120 °C	Operating temperature max.