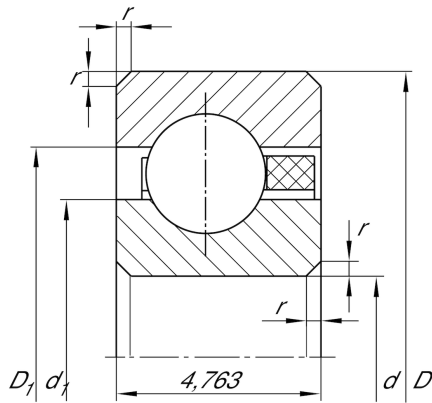


**CSCAA015-TV** [↗](#)

Deep groove ball bearing

Deep groove ball bearing, Thin section bearing CSCAA..-TV, plastic cage

## Technical information

**Main Dimensions & Performance Data**

d	38,1 mm	Bore diameter
D	47,625 mm	Outside diameter
B	4,763 mm	Width
C <sub>r</sub>	2.020 N	Basic dynamic load rating, radial
C <sub>0r</sub>	1.540 N	Basic static load rating, radial
n <sub>G</sub>	14.100 1/min	Limiting speed
≈m	20 g	Weight

**Dimensions**

r <sub>min</sub>	0,38 mm	Minimum chamfer dimension
d <sub>1</sub>	44,1 mm	Shoulder diameter inner ring
D <sub>1</sub>	47,1 mm	Shoulder diameter outer ring

**Temperature range**

T <sub>min</sub>	-30 °C	Operating temperature min.
T <sub>max</sub>	120 °C	Operating temperature max.