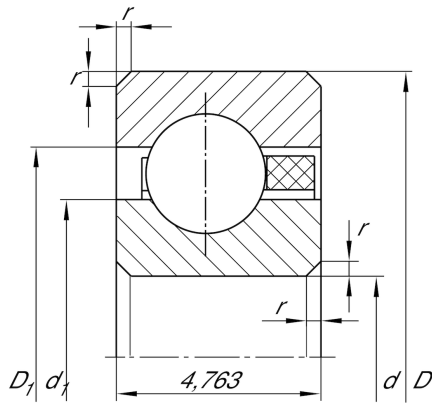


**CSCAA010-TV** [↗](#)

Deep groove ball bearing

Deep groove ball bearing, Thin section bearing CSCAA..-TV, plastic cage

Technical information

**Main Dimensions & Performance Data**

d	25,4 mm	Bore diameter
D	34,925 mm	Outside diameter
B	4,763 mm	Width
C _r	1.790 N	Basic dynamic load rating, radial
C _{0r}	1.080 N	Basic static load rating, radial
n _G	20.000 1/min	Limiting speed
≈m	10 g	Weight

Dimensions

r _{min}	0,38 mm	Minimum chamfer dimension
d ₁	29 mm	Shoulder diameter inner ring
D ₁	31,4 mm	Shoulder diameter outer ring

Temperature range

T _{min}	-30 °C	Operating temperature min.
T _{max}	120 °C	Operating temperature max.