

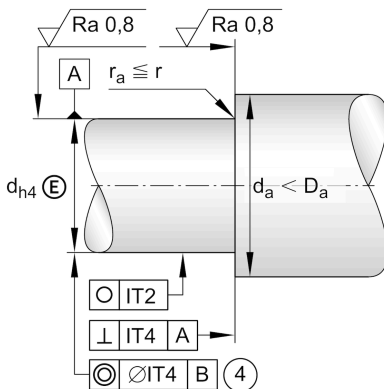
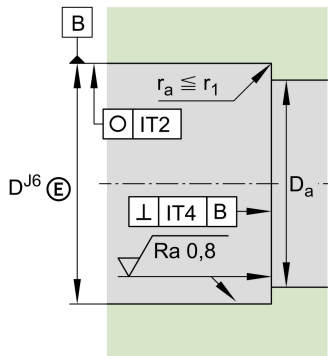
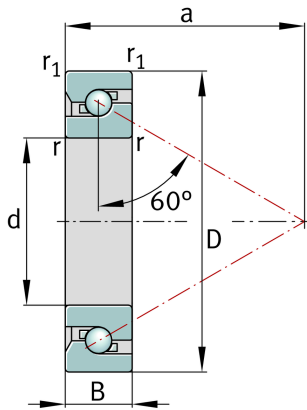
FAG

**7602055-TVP**

Axial angular contact ball bearing

Schaeffler ID:  
0384533390000Axial angular contact ball bearing 7602..  
TVP, single direction, no screw mounting

## Technical information

**Main Dimensions & Performance Data**

d	55 mm	Bore diameter
	0 mm	Bore diameter upper tolerance
	-0,007 mm	Bore diameter lower tolerance
D	100 mm	Outside diameter
	0 mm	Outside diameter upper tolerance
	-0,008 mm	Outside diameter lower tolerance
B	21 mm	Width
	0 mm	Width upper tolerance
	-0,15 mm	Width lower tolerance
C <sub>a</sub>	42.000 N	Basic dynamic load rating, axial
C <sub>0a</sub>	132.000 N	Basic static load rating, axial
C <sub>ua</sub>	6.000 N	Fatigue load limit, axial
n <sub>G Grease</sub>	3.900 1/min	Limiting speed for grease lubrication
n <sub>g</sub>	2.200 1/min	Thermally safe operating speed
≈m	0,75 kg	Weight

**Mounting dimensions**

D <sub>a</sub>	85,5 mm	Diameter of housing
D <sub>a</sub>	H12	Diameter of housing clearance
d <sub>a</sub>	69,5 mm	Diameter shaft
d <sub>a</sub>	h12	Diameter shaft clearance

**Dimensions**

r <sub>min</sub>	1,5 mm	Minimum chamfer dimension
r <sub>1 min</sub>	1,5 mm	Minimum chamfer dimension
a	77,5 mm	Distance between the apexes of the pressure cones
α	60 °	Contact angle

**Temperature range**

T <sub>min</sub>	-30 °C	Operating temperature min.
T <sub>max</sub>	120 °C	Operating temperature max.

### Additional information

$M_R$	0,25 Nm	Bearing frictional torque
$c_{aL}$	1.394 N/ $\mu$ m	Rigidity axial
	3 $\mu$ m	Axial runout
	ZM55	Recommended INA precision locknut for radial locking
	AM55	Recommended INA precision locknut for axial locking
$M_A$	85 Nm	Tightening torque for the recommended INA precision locknut
	15.060 N	Required locknut force axial