

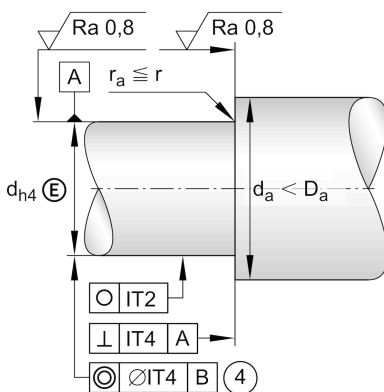
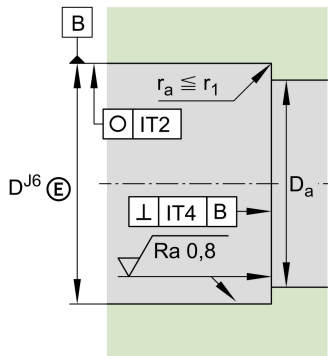
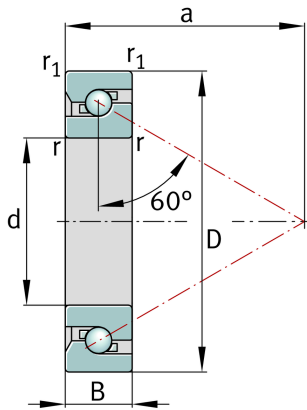
FAG

7602045-TVP

Axial angular contact ball bearing

Schaeffler ID:
0191192670000Axial angular contact ball bearing 7602..-
TVP, single direction, no screw mounting

Technical information

**Main Dimensions & Performance Data**

d	45 mm	Bore diameter
	0 mm	Bore diameter upper tolerance
	-0,006 mm	Bore diameter lower tolerance
D	85 mm	Outside diameter
	0 mm	Outside diameter upper tolerance
	-0,008 mm	Outside diameter lower tolerance
B	19 mm	Width
	0 mm	Width upper tolerance
	-0,12 mm	Width lower tolerance
C_a	39.500 N	Basic dynamic load rating, axial
C_{0a}	111.000 N	Basic static load rating, axial
C_{ua}	5.100 N	Fatigue load limit, axial
$n_{G \text{ Grease}}$	4.700 1/min	Limiting speed for grease lubrication
n_g	2.600 1/min	Thermally safe operating speed
$\approx m$	0,498 kg	Weight

Mounting dimensions

D_a	73 mm	Diameter of housing
D_a	H12	Diameter of housing clearance
d_a	57 mm	Diameter shaft
d_a	h12	Diameter shaft clearance

Dimensions

r_{\min}	1,1 mm	Minimum chamfer dimension
$r_{1 \min}$	1,1 mm	Minimum chamfer dimension
a	66 mm	Distance between the apexes of the pressure cones
α	60 °	Contact angle

Temperature range

T_{\min}	-30 °C	Operating temperature min.
T_{\max}	120 °C	Operating temperature max.

Additional information

M_R	0,19 Nm	Bearing frictional torque
c_{aL}	1.247 N/ μ m	Rigidity axial
	2 μ m	Axial runout
	ZM45	Recommended INA precision locknut for radial locking
	AM45	Recommended INA precision locknut for axial locking
M_A	65 Nm	Tightening torque for the recommended INA precision locknut
	14.410 N	Required locknut force axial