

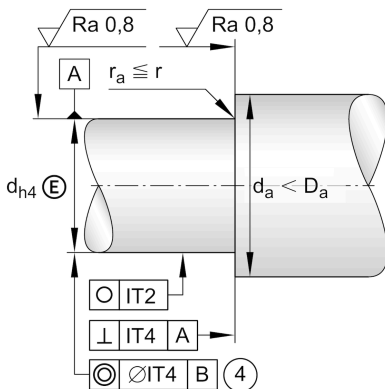
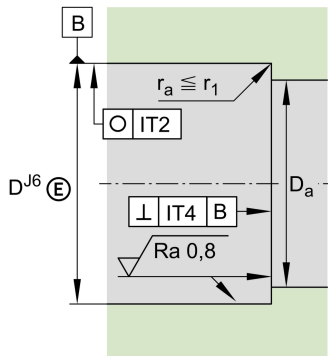
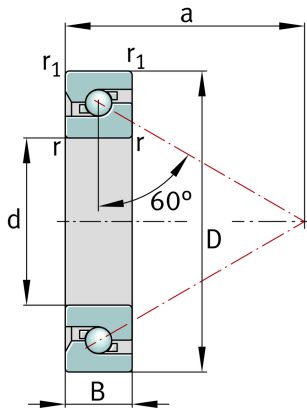
FAG

7602035-TVP

Axial angular contact ball bearing

Schaeffler ID:
0383772760000Axial angular contact ball bearing 7602..-
TVP, single direction, no screw mounting

Technical information

**Main Dimensions & Performance Data**

d	35 mm	Bore diameter
	0 mm	Bore diameter upper tolerance
	-0,006 mm	Bore diameter lower tolerance
D	72 mm	Outside diameter
	0 mm	Outside diameter upper tolerance
	-0,007 mm	Outside diameter lower tolerance
B	17 mm	Width
	0 mm	Width upper tolerance
	-0,12 mm	Width lower tolerance
C _a	31.500 N	Basic dynamic load rating, axial
C _{0a}	81.000 N	Basic static load rating, axial
C _{ua}	3.700 N	Fatigue load limit, axial
n _{G Grease}	5.700 1/min	Limiting speed for grease lubrication
n _g	3.200 1/min	Thermally safe operating speed
≈m	0,342 kg	Weight

Mounting dimensions

D _a	60,5 mm	Diameter of housing
D _a	H12	Diameter of housing clearance
d _a	46,5 mm	Diameter shaft
d _a	h12	Diameter shaft clearance

Dimensions

r _{min}	1,1 mm	Minimum chamfer dimension
r _{1 min}	1,1 mm	Minimum chamfer dimension
a	55 mm	Distance between the apexes of the pressure cones
α	60 °	Contact angle

Temperature range

T _{min}	-30 °C	Operating temperature min.
T _{max}	120 °C	Operating temperature max.

Additional information

M_R	0,12 Nm	Bearing frictional torque
c_{aL}	1.020 N/ μ m	Rigidity axial
	2 μ m	Axial runout
	ZM35	Recommended INA precision locknut for radial locking
	AM35	Recommended INA precision locknut for axial locking
M_A	40 Nm	Tightening torque for the recommended INA precision locknut
	11.310 N	Required locknut force axial