

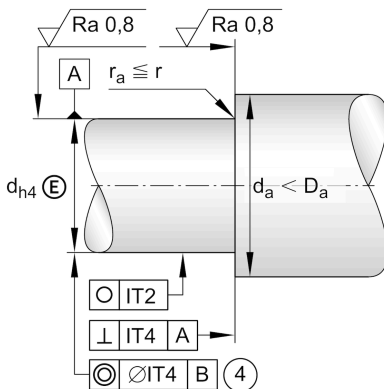
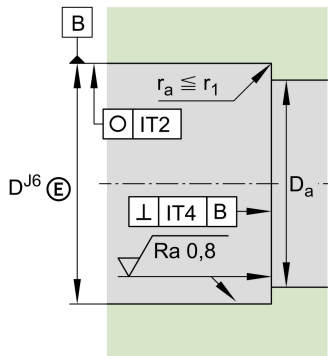
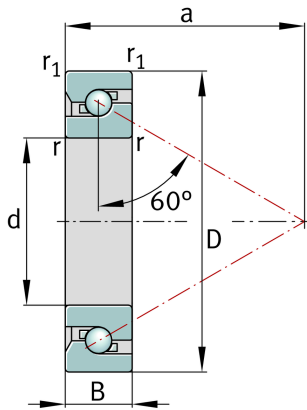
FAG

**7602030-TVP**

Axial angular contact ball bearing

Schaeffler ID:  
0383772680000Axial angular contact ball bearing 7602..-  
TVP, single direction, no screw mounting

## Technical information

**Main Dimensions & Performance Data**

d	30 mm	Bore diameter
	0 mm	Bore diameter upper tolerance
	-0,005 mm	Bore diameter lower tolerance
D	62 mm	Outside diameter
	0 mm	Outside diameter upper tolerance
	-0,007 mm	Outside diameter lower tolerance
B	16 mm	Width
	0 mm	Width upper tolerance
	-0,12 mm	Width lower tolerance
$C_a$	27.500 N	Basic dynamic load rating, axial
$C_{0a}$	66.000 N	Basic static load rating, axial
$C_{ua}$	3.000 N	Fatigue load limit, axial
$n_{G \text{ Grease}}$	6.700 1/min	Limiting speed for grease lubrication
$n_g$	3.800 1/min	Thermally safe operating speed
$\approx m$	0,235 kg	Weight

**Mounting dimensions**

$D_a$	52,5 mm	Diameter of housing
$D_a$	H12	Diameter of housing clearance
$d_a$	39,5 mm	Diameter shaft
$d_a$	h12	Diameter shaft clearance

**Dimensions**

$r_{\min}$	1 mm	Minimum chamfer dimension
$r_{1 \min}$	1 mm	Minimum chamfer dimension
a	48 mm	Distance between the apexes of the pressure cones
$\alpha$	60 °	Contact angle

**Temperature range**

$T_{\min}$	-30 °C	Operating temperature min.
$T_{\max}$	120 °C	Operating temperature max.

### Additional information

$M_R$	0,09 Nm	Bearing frictional torque
$c_{aL}$	893 N/ $\mu$ m	Rigidity axial
	2 $\mu$ m	Axial runout
	ZM30	Recommended INA precision locknut for radial locking
	AM30	Recommended INA precision locknut for axial locking
$M_A$	32 Nm	Tightening torque for the recommended INA precision locknut
	10.240 N	Required locknut force axial