

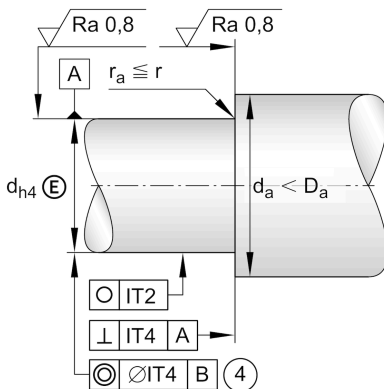
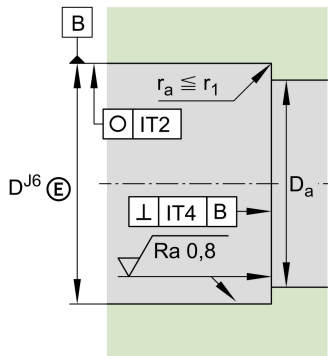
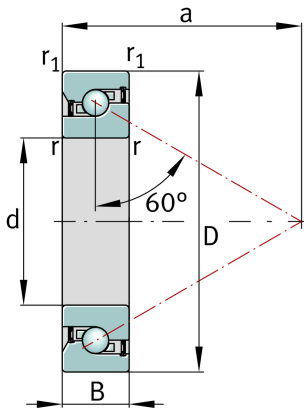
FAG

7602030-2RS-TVP

Axial angular contact ball bearing

Schaeffler ID:
0386483420000Axial angular contact ball bearings
7602...-2RS, single direction, with contact
angle $\alpha = 60^\circ$, restricted tolerances, lip
seals on both sides

Technical information



Main Dimensions & Performance Data

d	30 mm	Bore diameter
	0 mm	Bore diameter upper tolerance
	-0,005 mm	Bore diameter lower tolerance
D	62 mm	Outside diameter
	0 mm	Outside diameter upper tolerance
	-0,007 mm	Outside diameter lower tolerance
B	16 mm	Width
	0 mm	Width upper tolerance
	-0,12 mm	Width lower tolerance
C_a	27.500 N	Basic dynamic load rating, axial
C_{0a}	66.000 N	Basic static load rating, axial
C_{ua}	3.000 N	Fatigue load limit, axial
$n_{G \text{ Grease}}$	5.000 1/min	Limiting speed for grease lubrication
n_g	3.800 1/min	Thermally safe operating speed
$\approx m$	235 g	Weight

Mounting dimensions

D_a	52,5 mm	Diameter of housing
D_a	H12	Diameter of housing clearance
d_a	39,5 mm	Diameter shaft
d_a	h12	Diameter shaft clearance

Dimensions

r_{\min}	1 mm	Minimum chamfer dimension
$r_{1 \min}$	1 mm	Minimum chamfer dimension
a	48 mm	Distance between the apexes of the pressure cones
α	60 °	Contact angle

Temperature range

T_{\min}	-30 °C	Operating temperature min.
T_{\max}	120 °C	Operating temperature max.

Additional information

M_R	0,09 Nm	Bearing frictional torque
c_{aL}	893 N/ μ m	Rigidity axial
	2 μ m	Axial runout
	ZM30	Recommended INA precision locknut for radial locking
	AM30	Recommended INA precision locknut for axial locking
M_A	32 Nm	Tightening torque for the recommended INA precision locknut
	10.240 N	Required locknut force axial