

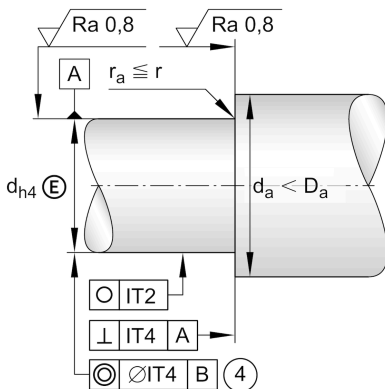
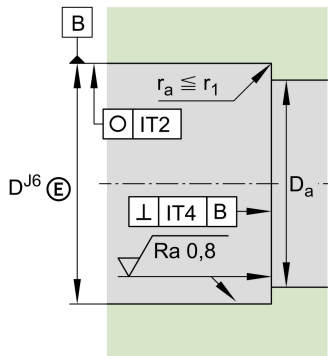
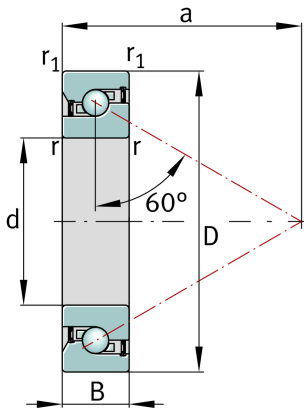
FAG

7602025-2RS-TVP

Axial angular contact ball bearing

Schaeffler ID:
0386553810000Axial angular contact ball bearings
7602...-2RS, single direction, with contact
angle $\alpha = 60^\circ$, restricted tolerances, lip
seals on both sides

Technical information



Main Dimensions & Performance Data

d	25 mm	Bore diameter
	0 mm	Bore diameter upper tolerance
	-0,005 mm	Bore diameter lower tolerance
D	52 mm	Outside diameter
	0 mm	Outside diameter upper tolerance
	-0,007 mm	Outside diameter lower tolerance
B	15 mm	Width
	0 mm	Width upper tolerance
	-0,12 mm	Width lower tolerance
C _a	23.200 N	Basic dynamic load rating, axial
C _{0a}	50.000 N	Basic static load rating, axial
C _{ua}	2.280 N	Fatigue load limit, axial
n _{G Grease}	5.100 1/min	Limiting speed for grease lubrication
n _g	3.800 1/min	Thermally safe operating speed
≈m	150 g	Weight

Mounting dimensions

D _a	45 mm	Diameter of housing
D _a	H12	Diameter of housing clearance
d _a	32 mm	Diameter shaft
d _a	h12	Diameter shaft clearance

Dimensions

r _{min}	1 mm	Minimum chamfer dimension
r _{1 min}	1 mm	Minimum chamfer dimension
a	41 mm	Distance between the apexes of the pressure cones
α	60 °	Contact angle

Temperature range

T _{min}	-30 °C	Operating temperature min.
T _{max}	120 °C	Operating temperature max.

Additional information

M_R	0,07 Nm	Bearing frictional torque
c_{aL}	772 N/ μ m	Rigidity axial
	2 μ m	Axial runout
	ZM25	Recommended INA precision locknut for radial locking
	AM25	Recommended INA precision locknut for axial locking
M_A	25 Nm	Tightening torque for the recommended INA precision locknut
	9.430 N	Required locknut force axial