

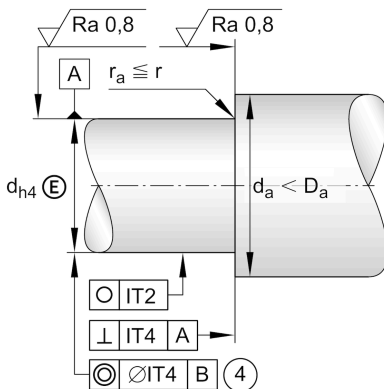
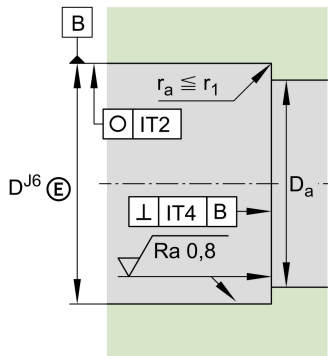
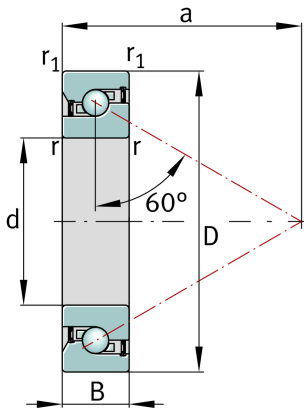
FAG

**7602020-2RS-TVP**

Axial angular contact ball bearing

Schaeffler ID:  
0386553730000Axial angular contact ball bearings  
7602...-2RS, single direction, with contact  
angle  $\alpha = 60^\circ$ , restricted tolerances, lip  
seals on both sides

## Technical information



## Main Dimensions &amp; Performance Data

d	20 mm	Bore diameter
	0 mm	Bore diameter upper tolerance
	-0,005 mm	Bore diameter lower tolerance
D	47 mm	Outside diameter
	0 mm	Outside diameter upper tolerance
	-0,006 mm	Outside diameter lower tolerance
B	14 mm	Width
	0 mm	Width upper tolerance
	-0,12 mm	Width lower tolerance
$C_a$	19.300 N	Basic dynamic load rating, axial
$C_{0a}$	41.500 N	Basic static load rating, axial
$C_{ua}$	1.900 N	Fatigue load limit, axial
$n_{G \text{ Grease}}$	6.800 1/min	Limiting speed for grease lubrication
$n_g$	5.000 1/min	Thermally safe operating speed
$\approx m$	120 g	Weight

## Mounting dimensions

$D_a$	39,5 mm	Diameter of housing
$D_a$	H12	Diameter of housing clearance
$d_a$	27,5 mm	Diameter shaft
$d_a$	h12	Diameter shaft clearance

## Dimensions

$r_{\min}$	1 mm	Minimum chamfer dimension
$r_{1 \min}$	1 mm	Minimum chamfer dimension
a	36 mm	Distance between the apexes of the pressure cones
$\alpha$	60 °	Contact angle

## Temperature range

$T_{\min}$	-30 °C	Operating temperature min.
$T_{\max}$	120 °C	Operating temperature max.

### Additional information

$M_R$	0,05 Nm	Bearing frictional torque
$c_{aL}$	703 N/ $\mu$ m	Rigidity axial
	2 $\mu$ m	Axial runout
	ZM20	Recommended INA precision locknut for radial locking
	AM20	Recommended INA precision locknut for axial locking
$M_A$	18 Nm	Tightening torque for the recommended INA precision locknut
	8.490 N	Required locknut force axial