

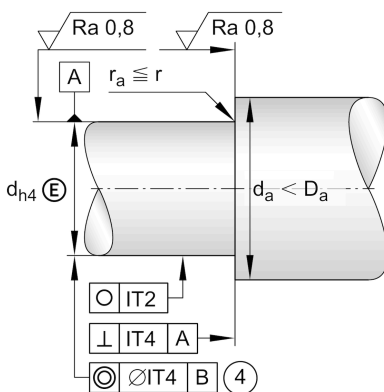
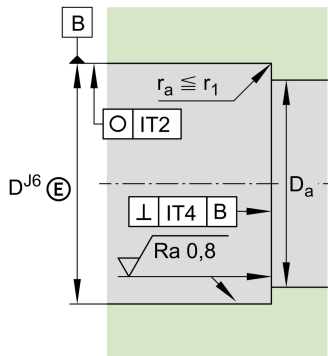
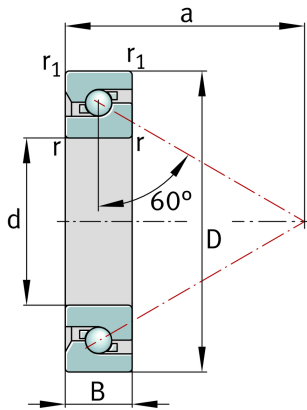
FAG

7602017-TVP

Axial angular contact ball bearing

Schaeffler ID:
0191192080000Axial angular contact ball bearing 7602.-
TVP, single direction, no screw mounting

Technical information

**Main Dimensions & Performance Data**

d	17 mm	Bore diameter
	0 mm	Bore diameter upper tolerance
	-0,004 mm	Bore diameter lower tolerance
D	40 mm	Outside diameter
	0 mm	Outside diameter upper tolerance
	-0,006 mm	Outside diameter lower tolerance
B	12 mm	Width
	0 mm	Width upper tolerance
	-0,08 mm	Width lower tolerance
C _a	17.200 N	Basic dynamic load rating, axial
C _{0a}	32.500 N	Basic static load rating, axial
C _{ua}	1.470 N	Fatigue load limit, axial
n _{G Grease}	10.600 1/min	Limiting speed for grease lubrication
n _g	6.000 1/min	Thermally safe operating speed
≈m	60 g	Weight

Mounting dimensions

D _a	34,5 mm	Diameter of housing
D _a	H12	Diameter of housing clearance
d _a	23 mm	Diameter shaft
d _a	h12	Diameter shaft clearance

Dimensions

r _{min}	0,6 mm	Minimum chamfer dimension
r _{1 min}	0,6 mm	Minimum chamfer dimension
a	31 mm	Distance between the apexes of the pressure cones
α	60 °	Contact angle

Temperature range

T _{min}	-30 °C	Operating temperature min.
T _{max}	120 °C	Operating temperature max.

Additional information

M_R	0,03 Nm	Bearing frictional torque
c_{aL}	596 N/ μ m	Rigidity axial
	2 μ m	Axial runout
	ZM17	Recommended INA precision locknut for radial locking
	AM17	Recommended INA precision locknut for axial locking
M_A	15 Nm	Tightening torque for the recommended INA precision locknut
	8.060 N	Required locknut force axial