

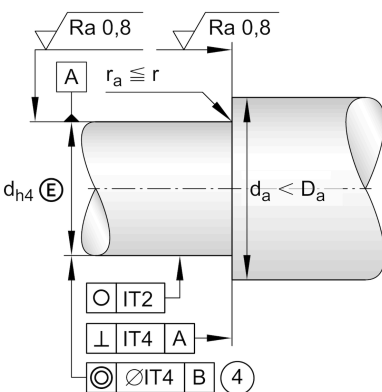
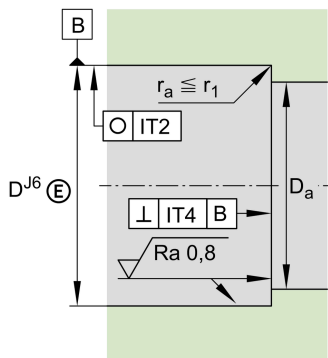
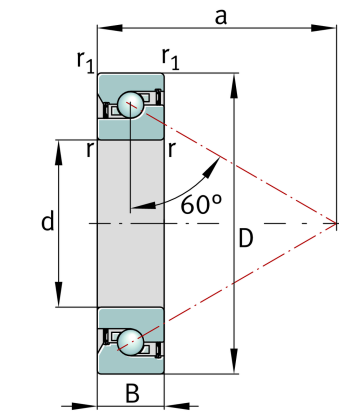
FAG

7602015-2RS-TVP

Axial angular contact ball bearing

Schaeffler ID:
0191191860000Axial angular contact ball bearings
7602...-2RS, single direction, with contact
angle $\alpha = 60^\circ$, restricted tolerances, lip
seals on both sides

Technical information



Main Dimensions & Performance Data

d	15 mm	Bore diameter
	0 mm	Bore diameter upper tolerance
	-0,004 mm	Bore diameter lower tolerance
D	35 mm	Outside diameter
	0 mm	Outside diameter upper tolerance
	-0,006 mm	Outside diameter lower tolerance
B	11 mm	Width
	0 mm	Width upper tolerance
	-0,08 mm	Width lower tolerance
C _a	13.100 N	Basic dynamic load rating, axial
C _{0a}	24.700 N	Basic static load rating, axial
C _{ua}	1.120 N	Fatigue load limit, axial
n _{G Grease}	9.000 1/min	Limiting speed for grease lubrication
n _s	6.700 1/min	Thermally safe operating speed
≈m	50 g	Weight

Mounting dimensions

D _a	30 mm	Diameter of housing
D _a	H12	Diameter of housing clearance
d _a	20,5 mm	Diameter shaft
d _a	h12	Diameter shaft clearance

Dimensions

r _{min}	0,6 mm	Minimum chamfer dimension
r _{1 min}	0,6 mm	Minimum chamfer dimension
a	27,5 mm	Distance between the apexes of the pressure cones
α	60 °	Contact angle

Temperature range

T _{min}	-30 °C	Operating temperature min.
T _{max}	120 °C	Operating temperature max.

Additional information

M_R	0,02 Nm	Bearing frictional torque
c_{aL}	516 N/ μ m	Rigidity axial
	2 μ m	Axial runout
	ZM15	Recommended INA precision locknut for radial locking
	AM15	Recommended INA precision locknut for axial locking
M_A	10 Nm	Tightening torque for the recommended INA precision locknut
	5.740 N	Required locknut force axial