

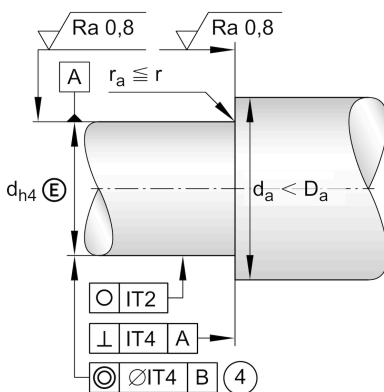
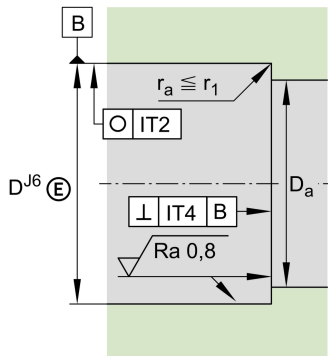
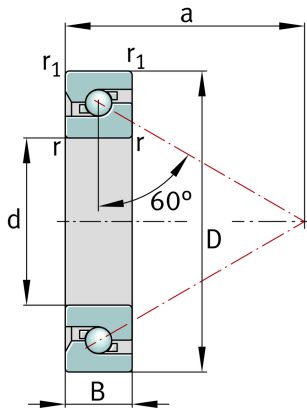
FAG

**7602012-TVP**

Axial angular contact ball bearing

Schaeffler ID:  
0191191780000Axial angular contact ball bearing 7602..-  
TVP, single direction, no screw mounting

## Technical information

**Main Dimensions & Performance Data**

d	12 mm	Bore diameter
	0 mm	Bore diameter upper tolerance
	-0,004 mm	Bore diameter lower tolerance
D	32 mm	Outside diameter
	0 mm	Outside diameter upper tolerance
	-0,006 mm	Outside diameter lower tolerance
B	10 mm	Width
	0 mm	Width upper tolerance
	-0,08 mm	Width lower tolerance
C <sub>a</sub>	12.200 N	Basic dynamic load rating, axial
C <sub>0a</sub>	20.700 N	Basic static load rating, axial
C <sub>ua</sub>	940 N	Fatigue load limit, axial
n <sub>G Grease</sub>	14.100 1/min	Limiting speed for grease lubrication
n <sub>g</sub>	8.000 1/min	Thermally safe operating speed
≈m	42 g	Weight

**Mounting dimensions**

D <sub>a</sub>	27 mm	Diameter of housing
D <sub>a</sub>	H12	Diameter of housing clearance
d <sub>a</sub>	17 mm	Diameter shaft
d <sub>a</sub>	h12	Diameter shaft clearance

**Dimensions**

r <sub>min</sub>	0,6 mm	Minimum chamfer dimension
r <sub>1 min</sub>	0,6 mm	Minimum chamfer dimension
a	24 mm	Distance between the apexes of the pressure cones
α	60 °	Contact angle

**Temperature range**

T <sub>min</sub>	-30 °C	Operating temperature min.
T <sub>max</sub>	120 °C	Operating temperature max.

**Additional information**

$M_R$	0,015 Nm	Bearing frictional torque
$c_{aL}$	476 N/ $\mu$ m	Rigidity axial
	2 $\mu$ m	Axial runout
	ZM12	Recommended INA precision locknut for radial locking
$M_A$	8 Nm	Tightening torque for the recommended INA precision locknut
	6.110 N	Required locknut force axial