

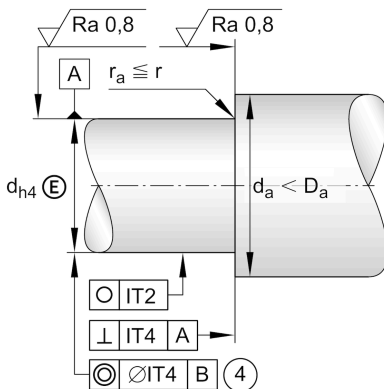
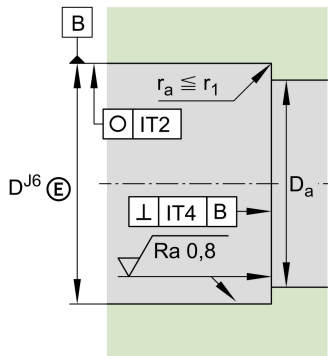
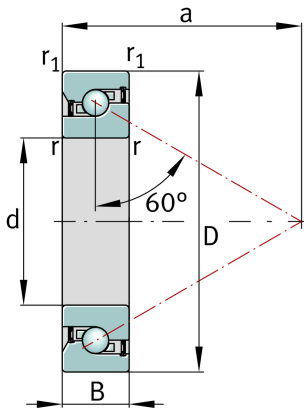
FAG

7602012-2RS-TVP

Axial angular contact ball bearing

Schaeffler ID:
0583156910000Axial angular contact ball bearings
7602...-2RS, single direction, with contact
angle $\alpha = 60^\circ$, restricted tolerances, lip
seals on both sides

Technical information



Main Dimensions & Performance Data

d	12 mm	Bore diameter
	0 mm	Bore diameter upper tolerance
	-0,004 mm	Bore diameter lower tolerance
D	32 mm	Outside diameter
	0 mm	Outside diameter upper tolerance
	-0,006 mm	Outside diameter lower tolerance
B	10 mm	Width
	0 mm	Width upper tolerance
	-0,08 mm	Width lower tolerance
C_a	12.200 N	Basic dynamic load rating, axial
C_{0a}	20.700 N	Basic static load rating, axial
C_{ua}	940 N	Fatigue load limit, axial
$n_{G \text{ Grease}}$	10.400 1/min	Limiting speed for grease lubrication
n_g	8.000 1/min	Thermally safe operating speed
$\approx m$	42 g	Weight

Mounting dimensions

D_a	27 mm	Diameter of housing
D_a	H12	Diameter of housing clearance
d_a	17 mm	Diameter shaft
d_a	h12	Diameter shaft clearance

Dimensions

r_{\min}	0,6 mm	Minimum chamfer dimension
$r_{1 \min}$	0,6 mm	Minimum chamfer dimension
a	24 mm	Distance between the apexes of the pressure cones
α	60 °	Contact angle

Temperature range

T_{\min}	-30 °C	Operating temperature min.
T_{\max}	120 °C	Operating temperature max.

Additional information

M_R	0,015 Nm	Bearing frictional torque
c_{aL}	476 N/ μ m	Rigidity axial
	2 μ m	Axial runout
	ZM12	Recommended INA precision locknut for radial locking
M_A	8 Nm	Tightening torque for the recommended INA precision locknut
	6.110 N	Required locknut force axial