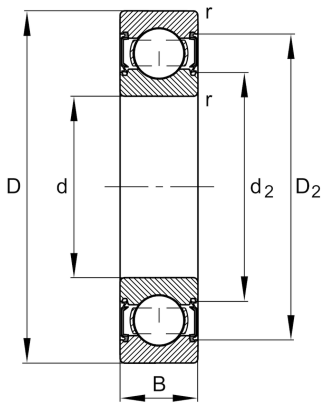


**FAG****629-C-2HRS-C3>V**

Deep groove ball bearing

Schaeffler ID:  
0957696330030Deep groove ball bearing 62...-C-2HRS,  
single row, Generation C, seals, steel  
sheet metal cage

## Technical information

**Main Dimensions & Performance Data**

d	9 mm	Bore diameter
D	26 mm	Outside diameter
B	8 mm	Width
$C_r$	5.300 N	Basic dynamic load rating, radial
$C_{0r}$	1.970 N	Basic static load rating, radial
$C_{ur}$	136 N	Fatigue load limit, radial
$n_G$	28.500 1/min	Limiting speed
$\approx m$	0,019 kg	Weight

**Mounting dimensions**

$d_{a \min}$	11,4 mm	Minimum diameter shaft shoulder
$D_{a \max}$	23,6 mm	Maximum diameter of housing shoulder
$r_{a \max}$	0,3 mm	Maximum fillet radius

**Dimensions**

$r_{\min}$	0,3 mm	Minimum chamfer dimension
$D_1$	21,34 mm	Shoulder diameter outer ring
$D_2$	23,09 mm	Caliber diameter outer ring
$d_1$	14,66 mm	Shoulder diameter inner ring
$d_2$	13,69 mm	Caliber diameter inner ring

**Temperature range**

$T_{\min}$	-20 °C	Operating temperature min.
$T_{\max}$	100 °C	Operating temperature max.

**Calculation factors**

$f_0$	12,4	Calculation factor
-------	------	--------------------

