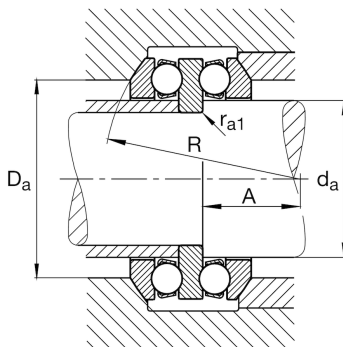
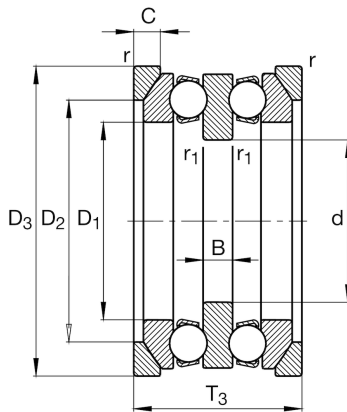
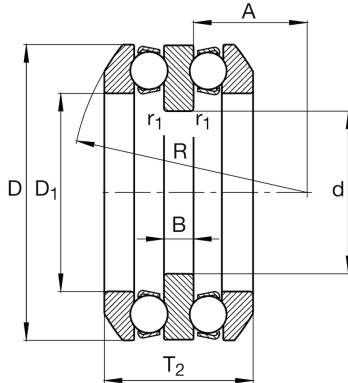
**FAG****54322-MP**

Axial deep groove ball bearing

Axial deep groove ball bearing 543..-MP, double direction, with spherical housing washer, solid brass cage

Technical information

**Main Dimensions & Performance Data**

d	95 mm	Inner diameter shaft washer
D	190 mm	Outer diameter housing washer
T ₂	118,4 mm	Height
C _a	280.000 N	Basic dynamic load rating, axial
C _{0a}	740.000 N	Basic static load rating, axial
C _{ua}	28.000 N	Fatigue load limit, axial
n _G	1.790 1/min	Limiting speed
n _{gr}	3.300 1/min	Reference speed
≈m	13,808 kg	Weight

Mounting dimensions

d _{a max}	110 mm	Maximum diameter shaft shoulder
D _{a max}	150 mm	Maximum diameter of housing shoulder
r _{a max}	2 mm	Maximum filled radius
r _{a1 max}	1 mm	Maximum filled radius

Dimensions

D ₁	113 mm	Inner diameter housing washer
B	24 mm	Height shaft washer
r _{min}	2 mm	Minimum chamfer dimension
r _{1 min}	1 mm	Minimum chamfer dimension
R	140 mm	Radius spherical housing washer
A	47 mm	Distance of the center point
T ₃	128 mm	Height with seat washer

Temperature range

T _{min}	-30 °C	Operating temperature min.
T _{max}	150 °C	Operating temperature max.

Calculation factors

A	3	Minimum load factor
---	---	---------------------



Additional information

U322

Seat washer

