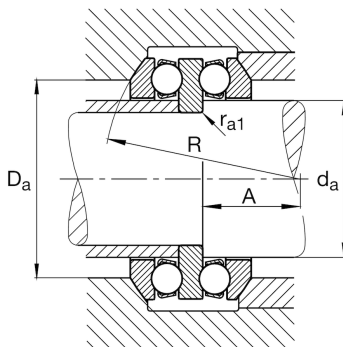
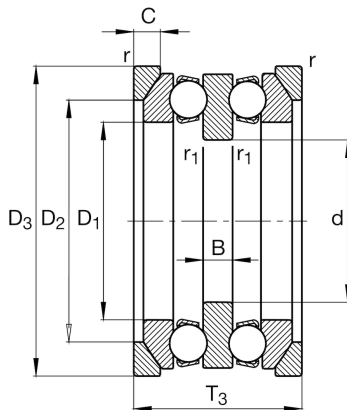
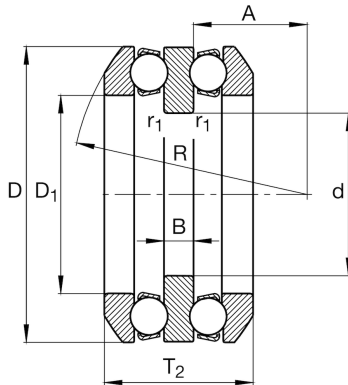
**FAG****54317**

Axial deep groove ball bearing

Axial deep groove ball bearing 543, double direction, with spherical housing washer, steel sheet metal cage

Technical information



Main Dimensions & Performance Data

d	70 mm	Inner diameter shaft washer
D	150 mm	Outer diameter housing washer
T ₂	95,2 mm	Height
C _a	186.000 N	Basic dynamic load rating, axial
C _{0a}	420.000 N	Basic static load rating, axial
C _{ua}	17.700 N	Fatigue load limit, axial
n _G	2.260 1/min	Limiting speed
n _{gr}	4.150 1/min	Reference speed
≈m	6,22 kg	Weight

Mounting dimensions

d _{a max}	85 mm	Maximum diameter shaft shoulder
D _{a max}	115 mm	Maximum diameter of housing shoulder
r _{a max}	1,5 mm	Maximum filled radius
r _{a1 max}	1 mm	Maximum filled radius

Dimensions

D ₁	88 mm	Inner diameter housing washer
B	19 mm	Height shaft washer
r _{min}	1,5 mm	Minimum chamfer dimension
r _{1 min}	1 mm	Minimum chamfer dimension
R	112 mm	Radius spherical housing washer
A	39 mm	Distance of the center point
T ₃	105 mm	Height with seat washer

Temperature range

T _{min}	-30 °C	Operating temperature min.
T _{max}	150 °C	Operating temperature max.

Calculation factors

A	1,1	Minimum load factor
---	-----	---------------------



Additional information

U317

Seat washer

