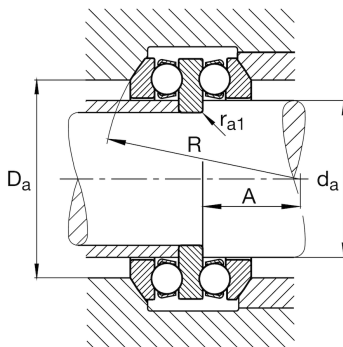
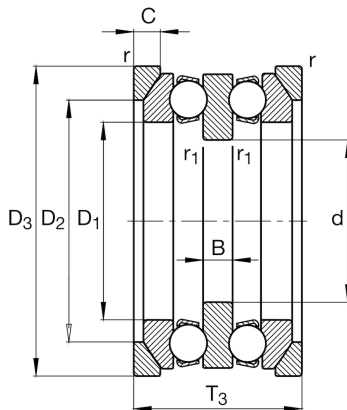
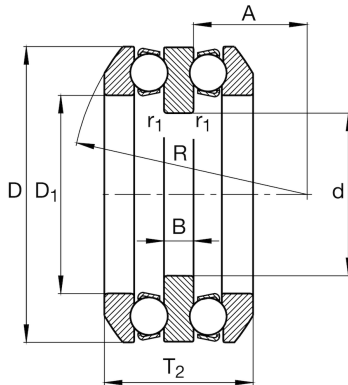
**FAG****54311**

Axial deep groove ball bearing

Axial deep groove ball bearing 543, double direction, with spherical housing washer, steel sheet metal cage

Technical information



Main Dimensions & Performance Data

d	45 mm	Inner diameter shaft washer
D	105 mm	Outer diameter housing washer
T ₂	72,6 mm	Height
C _a	102.000 N	Basic dynamic load rating, axial
C _{0a}	207.000 N	Basic static load rating, axial
C _{ua}	9.500 N	Fatigue load limit, axial
n _G	3.200 1/min	Limiting speed
n _{gr}	5.700 1/min	Reference speed
≈m	2,53 kg	Weight

Mounting dimensions

d _{a max}	55 mm	Maximum diameter shaft shoulder
D _{a max}	80 mm	Maximum diameter of housing shoulder
r _{a max}	1 mm	Maximum filled radius
r _{a1 max}	0,6 mm	Maximum filled radius

Dimensions

D ₁	57 mm	Inner diameter housing washer
B	15 mm	Height shaft washer
r _{min}	1,1 mm	Minimum chamfer dimension
r _{1 min}	0,6 mm	Minimum chamfer dimension
R	80 mm	Radius spherical housing washer
A	25,5 mm	Distance of the center point
T ₃	78 mm	Height with seat washer

Temperature range

T _{min}	-30 °C	Operating temperature min.
T _{max}	150 °C	Operating temperature max.

Calculation factors

A	0,26	Minimum load factor
---	------	---------------------



Additional information

U311

Seat washer

