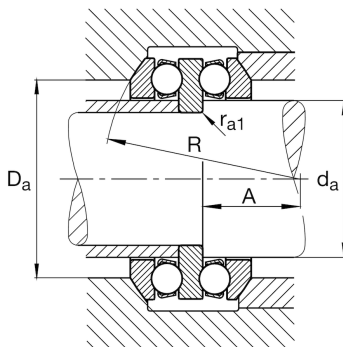
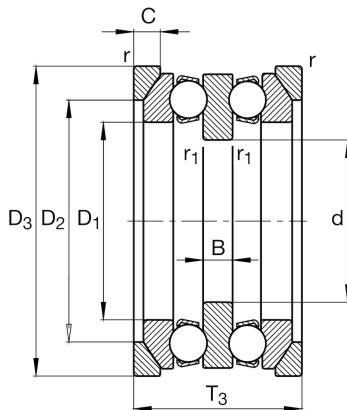
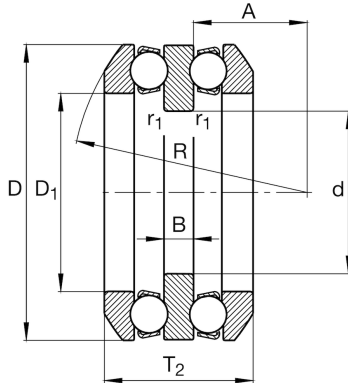
**FAG****54307**

Axial deep groove ball bearing

Axial deep groove ball bearing 543, double direction, with spherical housing washer, steel sheet metal cage

Technical information

**Main Dimensions & Performance Data**

d	30 mm	Inner diameter shaft washer
D	68 mm	Outer diameter housing washer
T ₂	47,2 mm	Height
C _a	50.000 N	Basic dynamic load rating, axial
C _{0a}	89.000 N	Basic static load rating, axial
C _{ua}	4.050 N	Fatigue load limit, axial
n _G	4.850 1/min	Limiting speed
n _{gr}	7.600 1/min	Reference speed
≈m	0,665 kg	Weight

Mounting dimensions

d _{a max}	35 mm	Maximum diameter shaft shoulder
D _{a max}	52 mm	Maximum diameter of housing shoulder
r _{a max}	1 mm	Maximum filled radius
r _{a1 max}	0,3 mm	Maximum filled radius

Dimensions

D ₁	37 mm	Inner diameter housing washer
B	10 mm	Height shaft washer
r _{min}	1 mm	Minimum chamfer dimension
r _{1 min}	0,3 mm	Minimum chamfer dimension
R	56 mm	Radius spherical housing washer
A	21 mm	Distance of the center point
T ₃	52 mm	Height with seat washer

Temperature range

T _{min}	-30 °C	Operating temperature min.
T _{max}	150 °C	Operating temperature max.

Calculation factors

A	0,05	Minimum load factor
---	------	---------------------



View product details on medias

11.04.2024, 15:06:31 CEST

SCHAEFFLER

Additional information

U307

Seat washer

