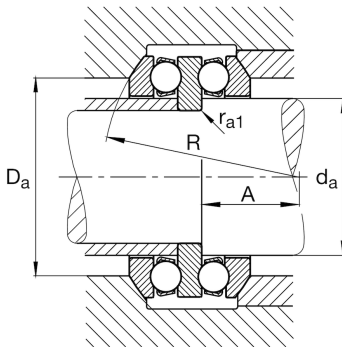
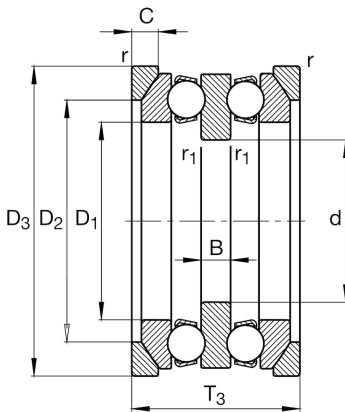
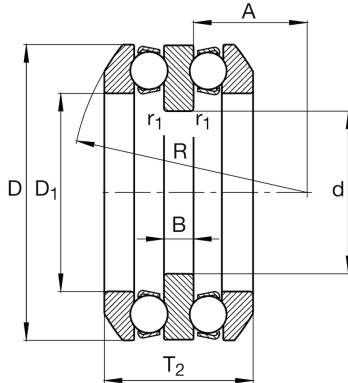
**FAG****54306**

Axial deep groove ball bearing

Axial deep groove ball bearing 543, double direction, with spherical housing washer, steel sheet metal cage

Technical information



Main Dimensions & Performance Data

d	25 mm	Inner diameter shaft washer
D	60 mm	Outer diameter housing washer
T ₂	41,2 mm	Height
C _a	35.500 N	Basic dynamic load rating, axial
C _{0a}	65.000 N	Basic static load rating, axial
C _{ua}	2.950 N	Fatigue load limit, axial
n _G	5.700 1/min	Limiting speed
n _{gr}	8.600 1/min	Reference speed
≈m	0,48 kg	Weight

Mounting dimensions

d _{a max}	30 mm	Maximum diameter shaft shoulder
D _{a max}	45 mm	Maximum diameter of housing shoulder
r _{a max}	1 mm	Maximum filled radius
r _{a1 max}	0,3 mm	Maximum filled radius

Dimensions

D ₁	32 mm	Inner diameter housing washer
B	9 mm	Height shaft washer
r _{min}	1 mm	Minimum chamfer dimension
r _{1 min}	0,3 mm	Minimum chamfer dimension
R	50 mm	Radius spherical housing washer
A	19,5 mm	Distance of the center point
T ₃	46 mm	Height with seat washer

Temperature range

T _{min}	-30 °C	Operating temperature min.
T _{max}	150 °C	Operating temperature max.

Calculation factors

A	0,028	Minimum load factor
---	-------	---------------------



View product details on medias

11.04.2024, 15:00:54 CEST

SCHAEFFLER

Additional information

U306

Seat washer

