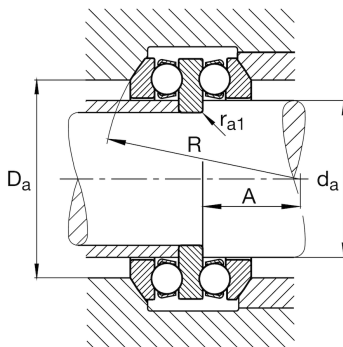
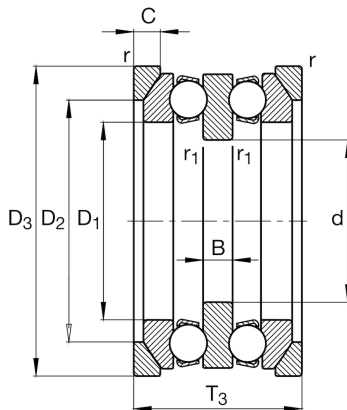
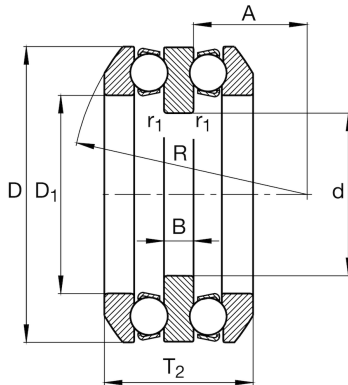
**FAG****54244-MP**

Axial deep groove ball bearing

Axial deep groove ball bearing 542...-MP, double direction, with spherical housing washer, solid brass cage

## Technical information

**Main Dimensions & Performance Data**

d	190 mm	Inner diameter shaft washer
D	300 mm	Outer diameter housing washer
T <sub>2</sub>	115,2 mm	Height
C <sub>a</sub>	335.000 N	Basic dynamic load rating, axial
C <sub>0a</sub>	1.330.000 N	Basic static load rating, axial
C <sub>ua</sub>	37.500 N	Fatigue load limit, axial
n <sub>G</sub>	1.420 1/min	Limiting speed
n <sub>gr</sub>	1.680 1/min	Reference speed
≈m	24 kg	Weight

**Mounting dimensions**

d <sub>a max</sub>	220 mm	Maximum diameter shaft shoulder
D <sub>a max</sub>	260 mm	Maximum diameter of housing shoulder
r <sub>a max</sub>	2 mm	Maximum filled radius
r <sub>a1 max</sub>	2 mm	Maximum filled radius

**Dimensions**

D <sub>1</sub>	224 mm	Inner diameter housing washer
B	24 mm	Height shaft washer
r <sub>min</sub>	2 mm	Minimum chamfer dimension
r <sub>1 min</sub>	2 mm	Minimum chamfer dimension
R	225 mm	Radius spherical housing washer
A	114 mm	Distance of the center point
T <sub>3</sub>	134 mm	Height with seat washer

**Temperature range**

T <sub>min</sub>	-30 °C	Operating temperature min.
T <sub>max</sub>	200 °C	Operating temperature max.

**Calculation factors**

A	9,6	Minimum load factor
---	-----	---------------------



### Additional information

U244

Seat washer

