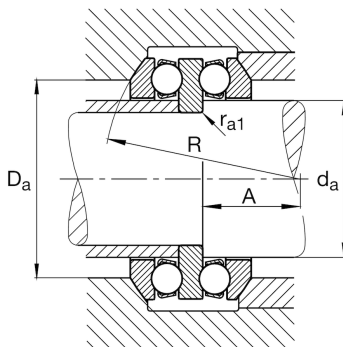
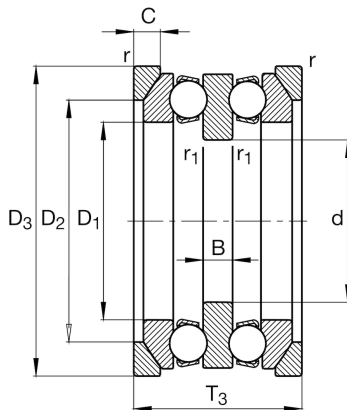
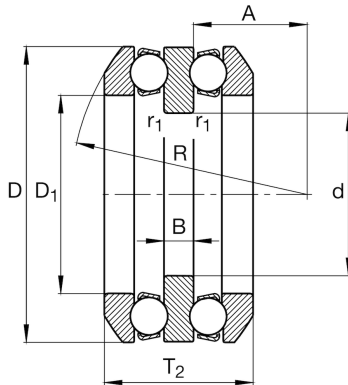
**FAG****54238-MP**

Axial deep groove ball bearing

Axial deep groove ball bearing 542...-MP, double direction, with spherical housing washer, solid brass cage

Technical information

**Main Dimensions & Performance Data**

d	160 mm	Inner diameter shaft washer
D	270 mm	Outer diameter housing washer
T ₂	116,4 mm	Height
C _a	335.000 N	Basic dynamic load rating, axial
C _{0a}	1.170.000 N	Basic static load rating, axial
C _{ua}	35.500 N	Fatigue load limit, axial
n _G	1.540 1/min	Limiting speed
n _{gr}	1.990 1/min	Reference speed
≈m	21,295 kg	Weight

Mounting dimensions

d _{a max}	190 mm	Maximum diameter shaft shoulder
D _{a max}	230 mm	Maximum diameter of housing shoulder
r _{a max}	2 mm	Maximum filled radius
r _{a1 max}	2 mm	Maximum filled radius

Dimensions

D ₁	194,7 mm	Inner diameter housing washer
B	24 mm	Height shaft washer
r _{min}	2 mm	Minimum chamfer dimension
r _{1 min}	2 mm	Minimum chamfer dimension
R	200 mm	Radius spherical housing washer
A	93,5 mm	Distance of the center point
T ₃	131 mm	Height with seat washer

Temperature range

T _{min}	-30 °C	Operating temperature min.
T _{max}	200 °C	Operating temperature max.

Calculation factors

A	7,2	Minimum load factor
---	-----	---------------------



View product details on medias

10.04.2024, 16:13:59 CEST

SCHAEFFLER

Additional information

U238

Seat washer

