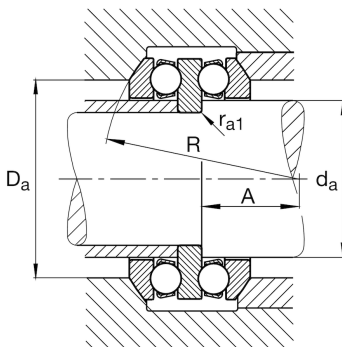
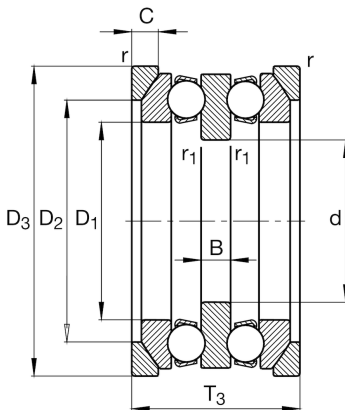
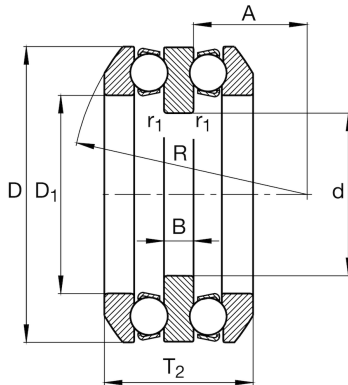
**FAG****54212**

Axial deep groove ball bearing

Axial deep groove ball bearing 542, double direction, with spherical housing washer, steel sheet metal cage

## Technical information

**Main Dimensions & Performance Data**

d	50 mm	Inner diameter shaft washer
D	95 mm	Outer diameter housing washer
T <sub>2</sub>	50 mm	Height
C <sub>a</sub>	62.000 N	Basic dynamic load rating, axial
C <sub>0a</sub>	139.000 N	Basic static load rating, axial
C <sub>ua</sub>	6.300 N	Fatigue load limit, axial
n <sub>G</sub>	4.200 1/min	Limiting speed
n <sub>gr</sub>	5.200 1/min	Reference speed
≈m	1,133 kg	Weight

**Mounting dimensions**

d <sub>a max</sub>	60 mm	Maximum diameter shaft shoulder
D <sub>a max</sub>	78 mm	Maximum diameter of housing shoulder
r <sub>a max</sub>	1 mm	Maximum filled radius
r <sub>a1 max</sub>	0,6 mm	Maximum filled radius

**Dimensions**

D <sub>1</sub>	62 mm	Inner diameter housing washer
B	10 mm	Height shaft washer
r <sub>min</sub>	1 mm	Minimum chamfer dimension
r <sub>1 min</sub>	0,6 mm	Minimum chamfer dimension
R	72 mm	Radius spherical housing washer
A	30,5 mm	Distance of the center point
T <sub>3</sub>	56 mm	Height with seat washer

**Temperature range**

T <sub>min</sub>	-30 °C	Operating temperature min.
T <sub>max</sub>	150 °C	Operating temperature max.

**Calculation factors**

A	0,12	Minimum load factor
---	------	---------------------



View product details on medias

09.04.2024, 16:44:37 CEST

SCHAEFFLER

### Additional information

---

U212

Seat washer

