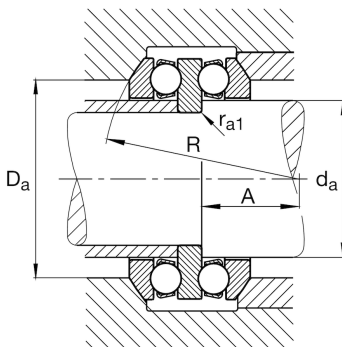
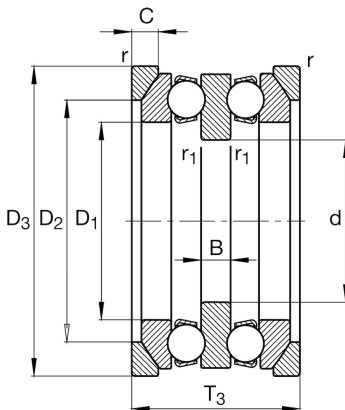
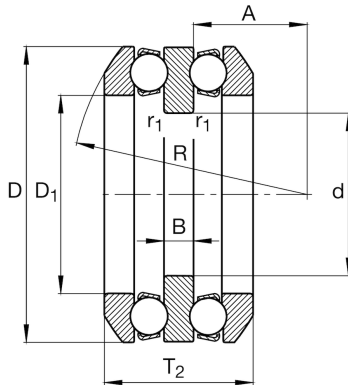
**FAG****54208**

Axial deep groove ball bearing

Axial deep groove ball bearing 542, double direction, with spherical housing washer, steel sheet metal cage

Technical information



Main Dimensions & Performance Data

d	30 mm	Inner diameter shaft washer
D	68 mm	Outer diameter housing washer
T ₂	38,6 mm	Height
C _a	44.000 N	Basic dynamic load rating, axial
C _{0a}	97.000 N	Basic static load rating, axial
C _{ua}	4.400 N	Fatigue load limit, axial
n _G	5.500 1/min	Limiting speed
n _{gr}	6.900 1/min	Reference speed
≈m	0,513 kg	Weight

Mounting dimensions

d _{a max}	40 mm	Maximum diameter shaft shoulder
D _{a max}	55 mm	Maximum diameter of housing shoulder
r _{a max}	1 mm	Maximum filled radius
r _{a1 max}	0,6 mm	Maximum filled radius

Dimensions

D ₁	42 mm	Inner diameter housing washer
B	9 mm	Height shaft washer
r _{min}	1 mm	Minimum chamfer dimension
r _{1 min}	0,6 mm	Minimum chamfer dimension
R	56 mm	Radius spherical housing washer
A	25 mm	Distance of the center point
T ₃	44 mm	Height with seat washer

Temperature range

T _{min}	-30 °C	Operating temperature min.
T _{max}	150 °C	Operating temperature max.

Calculation factors

A	0,05	Minimum load factor
---	------	---------------------



Additional information

U208

Seat washer

