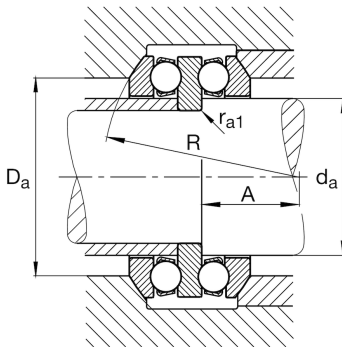
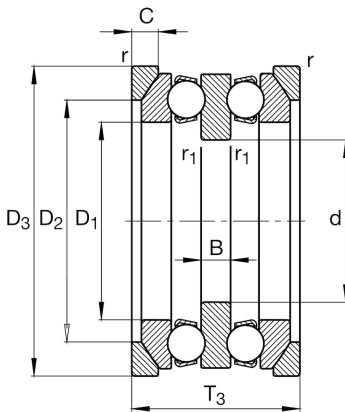
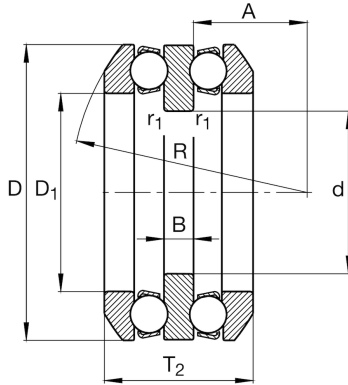
**FAG****54206**

Axial deep groove ball bearing

Axial deep groove ball bearing 542, double direction, with spherical housing washer, steel sheet metal cage

Technical information



Main Dimensions & Performance Data

d	25 mm	Inner diameter shaft washer
D	52 mm	Outer diameter housing washer
T ₂	32,6 mm	Height
C _a	23.900 N	Basic dynamic load rating, axial
C _{0a}	46.000 N	Basic static load rating, axial
C _{ua}	2.100 N	Fatigue load limit, axial
n _G	7.300 1/min	Limiting speed
n _{gr}	8.200 1/min	Reference speed
≈m	0,259 kg	Weight

Mounting dimensions

d _{a max}	30 mm	Maximum diameter shaft shoulder
D _{a max}	42 mm	Maximum diameter of housing shoulder
r _{a max}	0,6 mm	Maximum filled radius
r _{a1 max}	0,3 mm	Maximum filled radius

Dimensions

D ₁	32 mm	Inner diameter housing washer
B	7 mm	Height shaft washer
r _{min}	0,6 mm	Minimum chamfer dimension
r _{1 min}	0,3 mm	Minimum chamfer dimension
R	45 mm	Radius spherical housing washer
A	20 mm	Distance of the center point
T ₃	37 mm	Height with seat washer

Temperature range

T _{min}	-30 °C	Operating temperature min.
T _{max}	150 °C	Operating temperature max.

Calculation factors

A	0,014	Minimum load factor
---	-------	---------------------



View product details on medias

09.04.2024, 16:29:02 CEST

SCHAEFFLER

Additional information

U206

Seat washer

