**FAG****53330-MP**

Axial deep groove ball bearing

Axial deep groove ball bearing 533..-MP, single direction, with spherical housing washer, solid brass cage

Technical information

Main Dimensions & Performance Data

d	150 mm	Inner diameter shaft washer
D	250 mm	Outer diameter housing washer
T	83,7 mm	Height
C _a	395.000 N	Basic dynamic load rating, axial
C _{0a}	1.330.000 N	Basic static load rating, axial
C _{ua}	43.000 N	Fatigue load limit, axial
n _G	1.340 1/min	Limiting speed
n _{gr}	2.480 1/min	Reference speed
≈m	15,706 kg	Weight

Mounting dimensions

d _{a min}	210 mm	Minimum diameter shaft shoulder
D _{a max}	200 mm	Maximum diameter of housing shoulder
r _{a max}	2,1 mm	Maximum filled radius

Dimensions

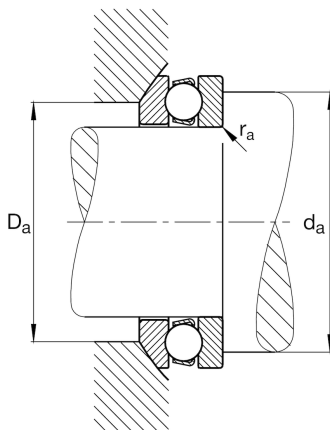
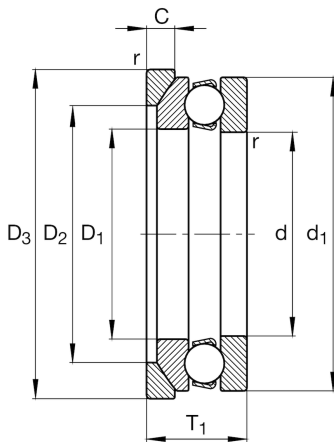
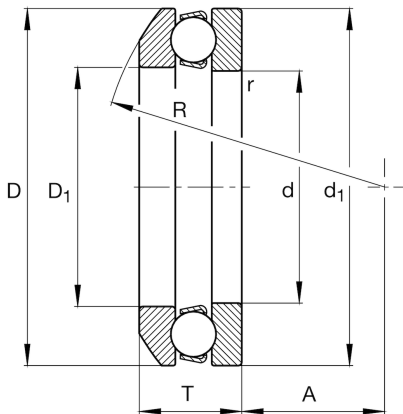
r _{min}	2,1 mm	Minimum chamfer dimension
D ₁	154 mm	Inner diameter housing washer
d ₁	245 mm	Outer diameter shaft washer
R	200 mm	Radius spherical housing washer
A	89,5 mm	Distance of the center point
T ₁	92 mm	Height with seat washer

Temperature range

T _{min}	-30 °C	Operating temperature min.
T _{max}	200 °C	Operating temperature max.

Calculation factors

A	9,3	Minimum load factor
---	-----	---------------------





View product details on medias

19.04.2024, 17:19:24 CEST

SCHAEFFLER

Additional information

U330

Seat washer

