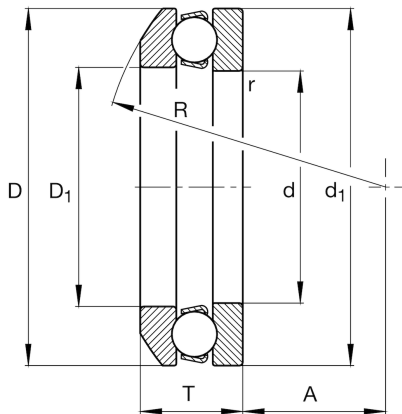
**FAG****53322-MP**

Axial deep groove ball bearing

Axial deep groove ball bearing 533..-MP, single direction, with spherical housing washer, solid brass cage

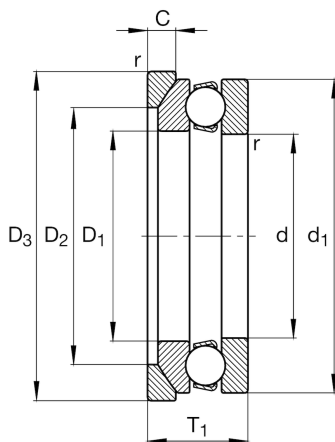
## Technical information

## Main Dimensions &amp; Performance Data



d	110 mm	Inner diameter shaft washer
D	190 mm	Outer diameter housing washer
T	67,2 mm	Height
$C_a$	280.000 N	Basic dynamic load rating, axial
$C_{0a}$	740.000 N	Basic static load rating, axial
$C_{ua}$	28.000 N	Fatigue load limit, axial
$n_G$	1.790 1/min	Limiting speed
$n_{gr}$	3.400 1/min	Reference speed
$\approx m$	7,701 kg	Weight

## Mounting dimensions



$d_{a \min}$	158 mm	Minimum diameter shaft shoulder
$D_{a \max}$	150 mm	Maximum diameter of housing shoulder
$r_{a \max}$	2 mm	Maximum filled radius

## Dimensions

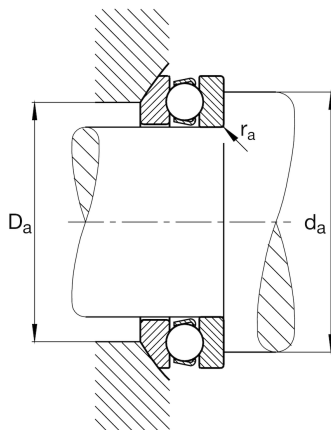
$r_{\min}$	2 mm	Minimum chamfer dimension
$D_1$	113 mm	Inner diameter housing washer
$d_1$	187 mm	Outer diameter shaft washer
R	140 mm	Radius spherical housing washer
A	51 mm	Distance of the center point
$T_1$	72 mm	Height with seat washer

## Temperature range

$T_{\min}$	-30 °C	Operating temperature min.
$T_{\max}$	150 °C	Operating temperature max.

## Calculation factors

A	3	Minimum load factor
---	---	---------------------





View product details on medias

19.04.2024, 17:10:40 CEST

SCHAEFFLER

### Additional information

U322

Seat washer

