**FAG****53320**

Axial deep groove ball bearing

Axial deep groove ball bearing 533, single direction, with spherical housing washer, steel sheet metal cage

Technical information

Main Dimensions & Performance Data

d	100 mm	Inner diameter shaft washer
D	170 mm	Outer diameter housing washer
T	59,2 mm	Height
C_a	238.000 N	Basic dynamic load rating, axial
C_{0a}	580.000 N	Basic static load rating, axial
C_{ua}	23.200 N	Fatigue load limit, axial
n_G	1.970 1/min	Limiting speed
n_{gr}	3.650 1/min	Reference speed
$\approx m$	4,868 kg	Weight

Mounting dimensions

$d_{a \min}$	142 mm	Minimum diameter shaft shoulder
$D_{a \max}$	135 mm	Maximum diameter of housing shoulder
$r_{a \max}$	1,5 mm	Maximum filled radius

Dimensions

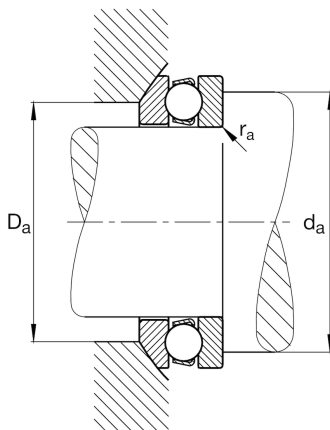
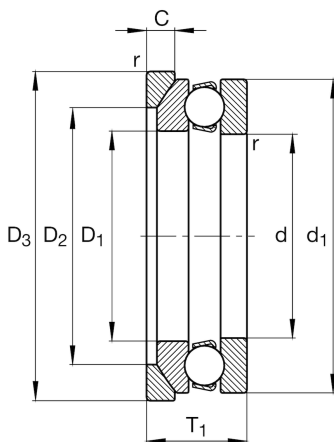
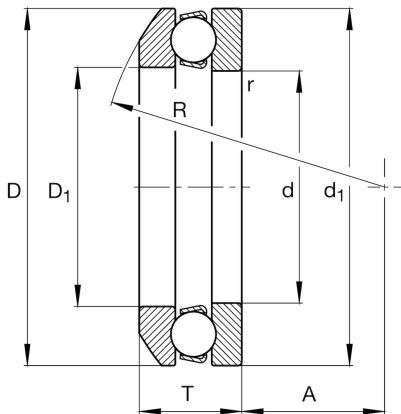
r_{\min}	1,5 mm	Minimum chamfer dimension
D_1	103 mm	Inner diameter housing washer
d_1	170 mm	Outer diameter shaft washer
R	125 mm	Radius spherical housing washer
A	46 mm	Distance of the center point
T_1	64 mm	Height with seat washer

Temperature range

T_{\min}	-30 °C	Operating temperature min.
T_{\max}	150 °C	Operating temperature max.

Calculation factors

A	1,9	Minimum load factor
---	-----	---------------------





View product details on medias

19.04.2024, 17:09:29 CEST

SCHAEFFLER

Additional information

U320

Seat washer

