**FAG****53309**

Axial deep groove ball bearing

Axial deep groove ball bearing 533, single direction, with spherical housing washer, steel sheet metal cage

## Technical information

## Main Dimensions &amp; Performance Data

d	45 mm	Inner diameter shaft washer
D	85 mm	Outer diameter housing washer
T	30,1 mm	Height
$C_a$	75.000 N	Basic dynamic load rating, axial
$C_{0a}$	140.000 N	Basic static load rating, axial
$C_{ua}$	6.500 N	Fatigue load limit, axial
$n_G$	3.800 1/min	Limiting speed
$n_{gr}$	6.800 1/min	Reference speed
$\approx m$	0,68 kg	Weight

## Mounting dimensions

$d_{a \min}$	69 mm	Minimum diameter shaft shoulder
$D_{a \max}$	65 mm	Maximum diameter of housing shoulder
$r_{a \max}$	1 mm	Maximum filled radius

## Dimensions

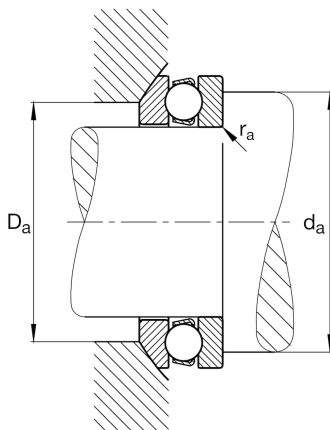
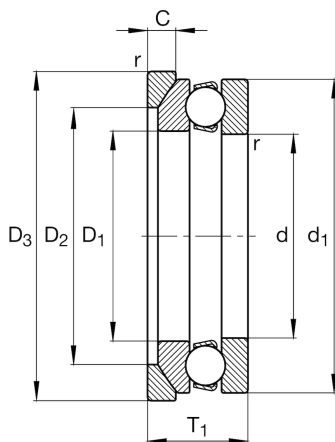
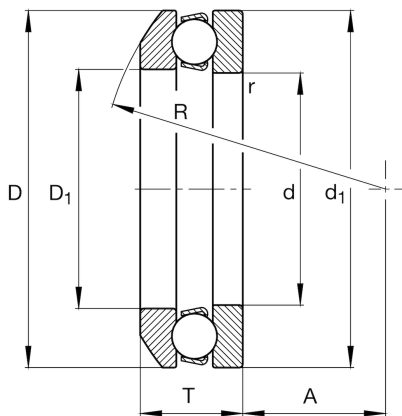
$r_{\min}$	1 mm	Minimum chamfer dimension
$D_1$	47 mm	Inner diameter housing washer
$d_1$	85 mm	Outer diameter shaft washer
R	64 mm	Radius spherical housing washer
A	25 mm	Distance of the center point
$T_1$	33 mm	Height with seat washer

## Temperature range

$T_{\min}$	-30 °C	Operating temperature min.
$T_{\max}$	150 °C	Operating temperature max.

## Calculation factors

A	0,12	Minimum load factor
---	------	---------------------





View product details on medias

19.04.2024, 16:59:55 CEST

SCHAEFFLER

### Additional information

U309

Seat washer

