**FAG****53308**

Axial deep groove ball bearing

Axial deep groove ball bearing 533, single direction, with spherical housing washer, steel sheet metal cage

Technical information

Main Dimensions & Performance Data

| | | |
|-------------|-------------|----------------------------------|
| d | 40 mm | Inner diameter shaft washer |
| D | 78 mm | Outer diameter housing washer |
| T | 28,5 mm | Height |
| C_a | 61.000 N | Basic dynamic load rating, axial |
| C_{0a} | 112.000 N | Basic static load rating, axial |
| C_{ua} | 5.100 N | Fatigue load limit, axial |
| n_G | 4.250 1/min | Limiting speed |
| n_{gr} | 7.600 1/min | Reference speed |
| $\approx m$ | 0,565 kg | Weight |

Mounting dimensions

| | | |
|--------------|-------|--------------------------------------|
| $d_{a \min}$ | 63 mm | Minimum diameter shaft shoulder |
| $D_{a \max}$ | 60 mm | Maximum diameter of housing shoulder |
| $r_{a \max}$ | 1 mm | Maximum filled radius |

Dimensions

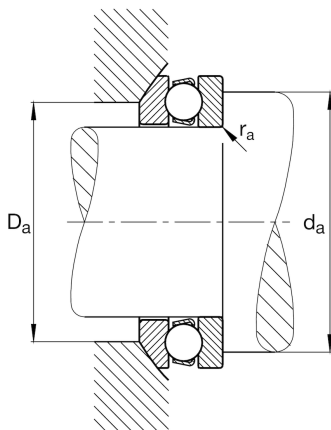
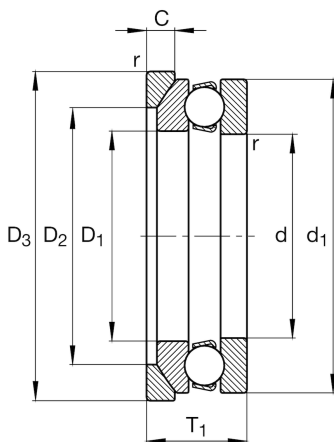
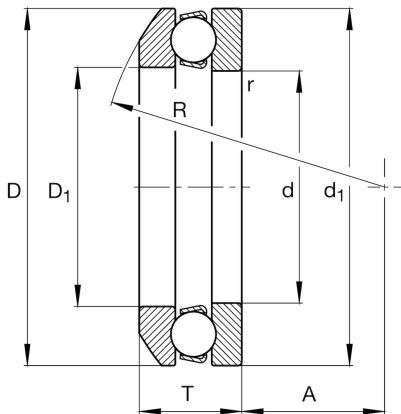
| | | |
|------------|-------|---------------------------------|
| r_{\min} | 1 mm | Minimum chamfer dimension |
| D_1 | 42 mm | Inner diameter housing washer |
| d_1 | 78 mm | Outer diameter shaft washer |
| R | 64 mm | Radius spherical housing washer |
| A | 28 mm | Distance of the center point |
| T_1 | 31 mm | Height with seat washer |

Temperature range

| | | |
|------------|--------|----------------------------|
| T_{\min} | -30 °C | Operating temperature min. |
| T_{\max} | 150 °C | Operating temperature max. |

Calculation factors

| | | |
|---|-------|---------------------|
| A | 0,081 | Minimum load factor |
|---|-------|---------------------|





View product details on medias

19.04.2024, 16:58:59 CEST

SCHAEFFLER

Additional information

U308

Seat washer

