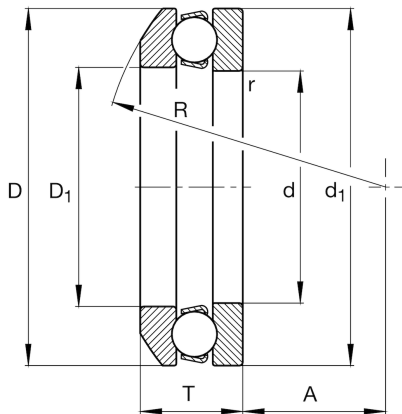
**FAG****53305**

Axial deep groove ball bearing

Axial deep groove ball bearing 533, single direction, with spherical housing washer, steel sheet metal cage

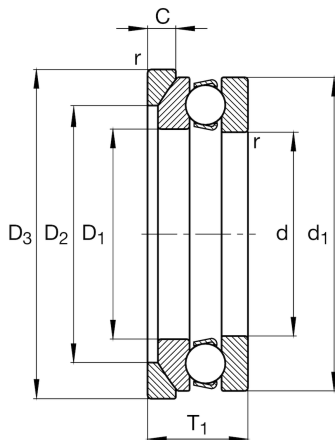
Technical information

Main Dimensions & Performance Data



d	25 mm	Inner diameter shaft washer
D	52 mm	Outer diameter housing washer
T	19,8 mm	Height
C_a	34.500 N	Basic dynamic load rating, axial
C_{0a}	55.000 N	Basic static load rating, axial
C_{ua}	2.500 N	Fatigue load limit, axial
n_G	6.000 1/min	Limiting speed
n_{gr}	10.400 1/min	Reference speed
$\approx m$	0,175 kg	Weight

Mounting dimensions



$d_{a \min}$	41 mm	Minimum diameter shaft shoulder
$D_{a \max}$	38 mm	Maximum diameter of housing shoulder
$r_{a \max}$	1 mm	Maximum filled radius

Dimensions

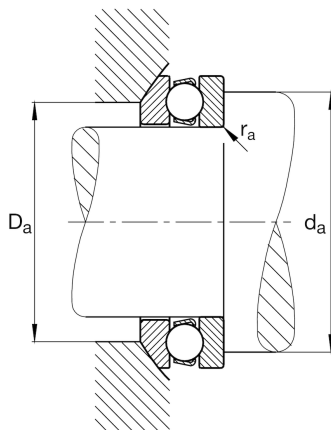
r_{\min}	1 mm	Minimum chamfer dimension
D_1	27 mm	Inner diameter housing washer
d_1	52 mm	Outer diameter shaft washer
R	45 mm	Radius spherical housing washer
A	21 mm	Distance of the center point
T_1	22 mm	Height with seat washer

Temperature range

T_{\min}	-30 °C	Operating temperature min.
T_{\max}	150 °C	Operating temperature max.

Calculation factors

A	0,019	Minimum load factor
---	-------	---------------------





View product details on medias

15.04.2024, 10:54:08 CEST

SCHAEFFLER

Additional information

U305

Seat washer

