**FAG****53232-MP**

Axial deep groove ball bearing

Axial deep groove ball bearing 532...-MP, single direction, with spherical housing washer, solid brass cage

Technical information

Main Dimensions & Performance Data

d	160 mm	Inner diameter shaft washer
D	225 mm	Outer diameter housing washer
T	54,7 mm	Height
C_a	240.000 N	Basic dynamic load rating, axial
C_{0a}	770.000 N	Basic static load rating, axial
C_{ua}	25.500 N	Fatigue load limit, axial
n_G	1.900 1/min	Limiting speed
n_{gr}	2.350 1/min	Reference speed
$\approx m$	6,315 kg	Weight

Mounting dimensions

$d_{a \min}$	199 mm	Minimum diameter shaft shoulder
$D_{a \max}$	190 mm	Maximum diameter of housing shoulder
$r_{a \max}$	1,5 mm	Maximum filled radius

Dimensions

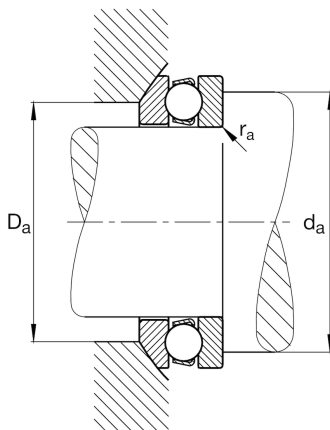
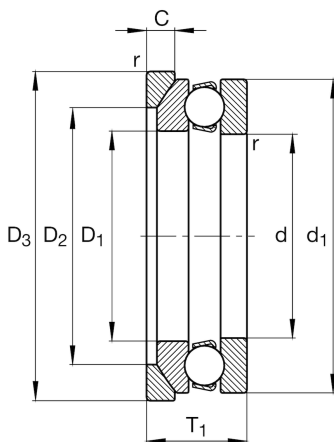
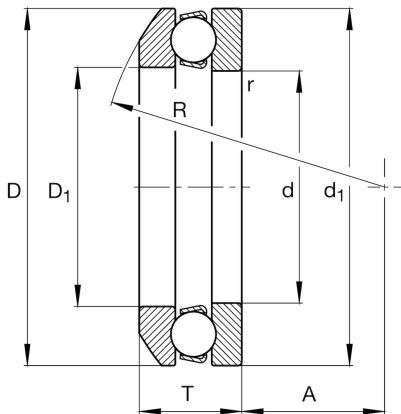
r_{\min}	1,5 mm	Minimum chamfer dimension
D_1	163 mm	Inner diameter housing washer
d_1	222 mm	Outer diameter shaft washer
R	160 mm	Radius spherical housing washer
A	74 mm	Distance of the center point
T_1	61 mm	Height with seat washer

Temperature range

T_{\min}	-30 °C	Operating temperature min.
T_{\max}	150 °C	Operating temperature max.

Calculation factors

A	3,2	Minimum load factor
---	-----	---------------------





View product details on medias

12.04.2024, 17:14:42 CEST

SCHAEFFLER

Additional information

U232

Seat washer

