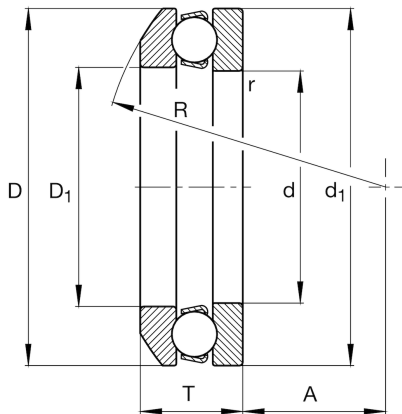
**FAG****53230-MP**

Axial deep groove ball bearing

Axial deep groove ball bearing 532...-MP, single direction, with spherical housing washer, solid brass cage

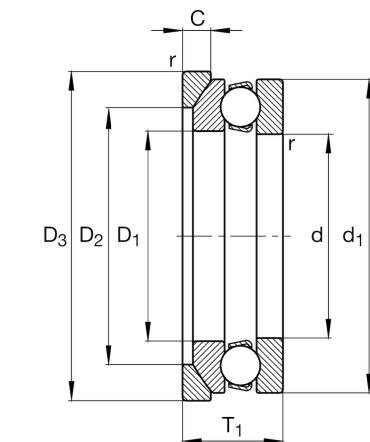
Technical information

Main Dimensions & Performance Data



d	150 mm	Inner diameter shaft washer
D	215 mm	Outer diameter housing washer
T	53,3 mm	Height
C _a	236.000 N	Basic dynamic load rating, axial
C _{0a}	730.000 N	Basic static load rating, axial
C _{ua}	24.900 N	Fatigue load limit, axial
n _G	1.950 1/min	Limiting speed
n _{gr}	2.500 1/min	Reference speed
≈m	5,827 kg	Weight

Mounting dimensions



d _{a min}	189 mm	Minimum diameter shaft shoulder
D _{a max}	180 mm	Maximum diameter of housing shoulder
r _{a max}	1,5 mm	Maximum filled radius

Dimensions

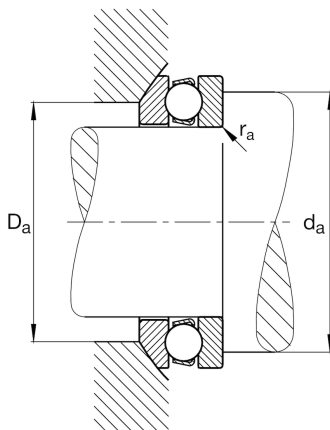
r _{min}	1,5 mm	Minimum chamfer dimension
D ₁	153 mm	Inner diameter housing washer
d ₁	212 mm	Outer diameter shaft washer
R	160 mm	Radius spherical housing washer
A	79 mm	Distance of the center point
T ₁	60 mm	Height with seat washer

Temperature range

T _{min}	-30 °C	Operating temperature min.
T _{max}	150 °C	Operating temperature max.

Calculation factors

A	2,9	Minimum load factor
---	-----	---------------------





View product details on medias

12.04.2024, 17:11:48 CEST

SCHAEFFLER

Additional information

U230

Seat washer

