**FAG****53228**

Axial deep groove ball bearing

Axial deep groove ball bearing 532, single direction, with spherical housing washer, steel sheet metal cage

Technical information

Main Dimensions & Performance Data

d	140 mm	Inner diameter shaft washer
D	200 mm	Outer diameter housing washer
T	48,6 mm	Height
C _a	191.000 N	Basic dynamic load rating, axial
C _{0a}	570.000 N	Basic static load rating, axial
C _{ua}	19.800 N	Fatigue load limit, axial
n _G	2.110 1/min	Limiting speed
n _{gr}	2.700 1/min	Reference speed
≈m	4,241 kg	Weight

Mounting dimensions

d _{a min}	176 mm	Minimum diameter shaft shoulder
D _{a max}	170 mm	Maximum diameter of housing shoulder
r _{a max}	1,5 mm	Maximum filled radius

Dimensions

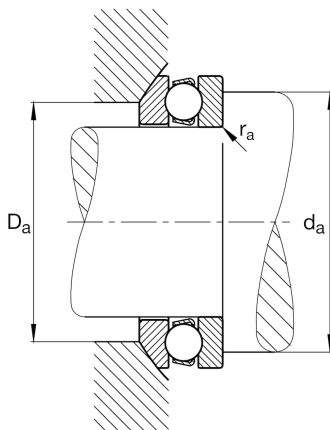
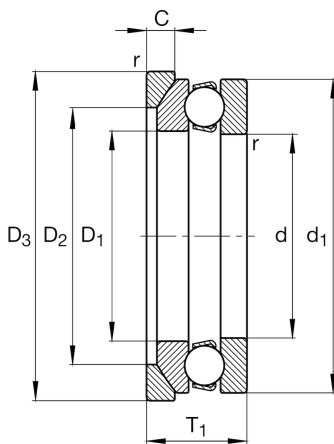
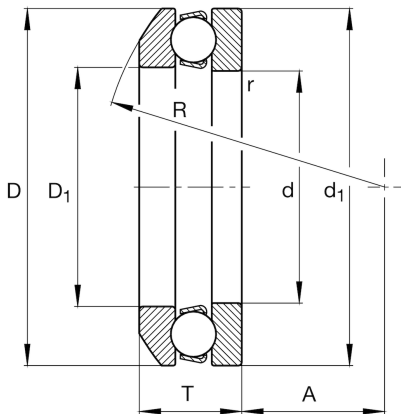
r _{min}	1,5 mm	Minimum chamfer dimension
D ₁	143 mm	Inner diameter housing washer
d ₁	197 mm	Outer diameter shaft washer
R	160 mm	Radius spherical housing washer
A	87 mm	Distance of the center point
T ₁	55 mm	Height with seat washer

Temperature range

T _{min}	-30 °C	Operating temperature min.
T _{max}	150 °C	Operating temperature max.

Calculation factors

A	1,9	Minimum load factor
---	-----	---------------------





View product details on medias

12.04.2024, 17:09:13 CEST

SCHAEFFLER

Additional information

U228

Seat washer

