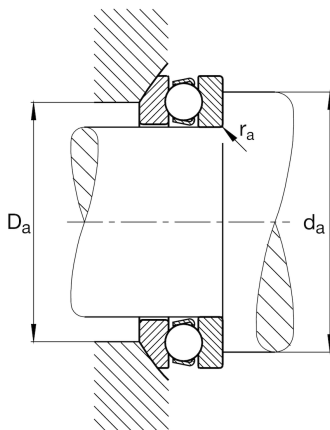
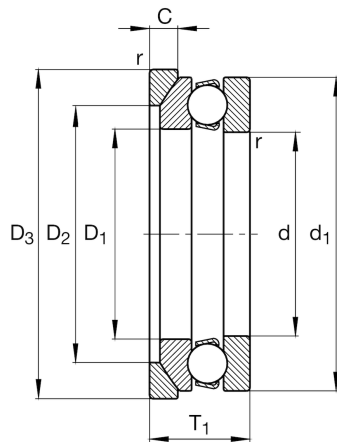
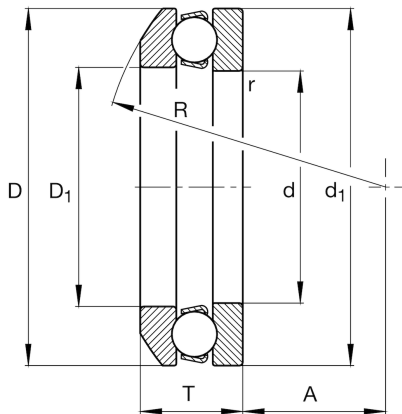
**FAG****53217**

Axial deep groove ball bearing

Axial deep groove ball bearing 532, single direction, with spherical housing washer, steel sheet metal cage

Technical information

Main Dimensions & Performance Data



d	85 mm	Inner diameter shaft washer
D	125 mm	Outer diameter housing washer
T	33,1 mm	Height
C_a	98.000 N	Basic dynamic load rating, axial
C_{0a}	250.000 N	Basic static load rating, axial
C_{ua}	11.200 N	Fatigue load limit, axial
n_G	3.250 1/min	Limiting speed
n_{gr}	3.850 1/min	Reference speed
$\approx m$	1,214 kg	Weight

Mounting dimensions

$d_{a \min}$	109 mm	Minimum diameter shaft shoulder
$D_{a \max}$	105 mm	Maximum diameter of housing shoulder
$r_{a \max}$	1 mm	Maximum filled radius

Dimensions

r_{\min}	1 mm	Minimum chamfer dimension
D_1	88 mm	Inner diameter housing washer
d_1	125 mm	Outer diameter shaft washer
R	100 mm	Radius spherical housing washer
A	52 mm	Distance of the center point
T_1	37 mm	Height with seat washer

Temperature range

T_{\min}	-30 °C	Operating temperature min.
T_{\max}	150 °C	Operating temperature max.

Calculation factors

A	0,37	Minimum load factor
---	------	---------------------



View product details on medias

12.04.2024, 16:56:04 CEST

SCHAEFFLER

Additional information

U217

Seat washer

