**FAG****53212**

Axial deep groove ball bearing

Axial deep groove ball bearing 532, single direction, with spherical housing washer, steel sheet metal cage

## Technical information

## Main Dimensions &amp; Performance Data

d	60 mm	Inner diameter shaft washer
D	95 mm	Outer diameter housing washer
T	28 mm	Height
$C_a$	62.000 N	Basic dynamic load rating, axial
$C_{0a}$	139.000 N	Basic static load rating, axial
$C_{ua}$	6.300 N	Fatigue load limit, axial
$n_G$	4.200 1/min	Limiting speed
$n_{gr}$	5.300 1/min	Reference speed
$\approx m$	0,634 kg	Weight

## Mounting dimensions

$d_{a \min}$	81 mm	Minimum diameter shaft shoulder
$D_{a \max}$	78 mm	Maximum diameter of housing shoulder
$r_{a \max}$	1 mm	Maximum filled radius

## Dimensions

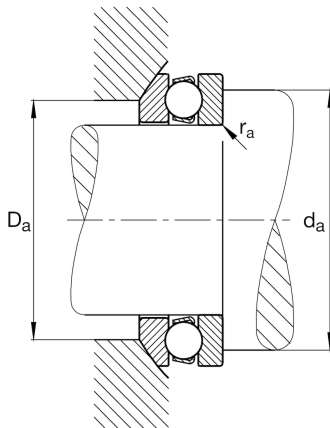
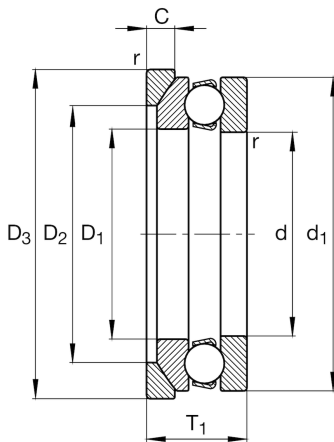
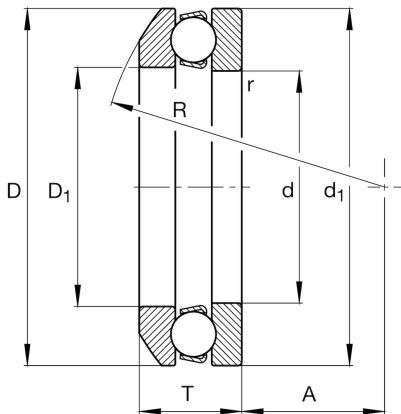
$r_{\min}$	1 mm	Minimum chamfer dimension
$D_1$	62 mm	Inner diameter housing washer
$d_1$	95 mm	Outer diameter shaft washer
R	72 mm	Radius spherical housing washer
A	32,5 mm	Distance of the center point
$T_1$	31 mm	Height with seat washer

## Temperature range

$T_{\min}$	-30 °C	Operating temperature min.
$T_{\max}$	150 °C	Operating temperature max.

## Calculation factors

A	0,12	Minimum load factor
---	------	---------------------





View product details on medias

12.04.2024, 16:22:37 CEST

SCHAEFFLER

### Additional information

U212

Seat washer

