**FAG****53210**

Axial deep groove ball bearing

Axial deep groove ball bearing 532, single direction, with spherical housing washer, steel sheet metal cage

Technical information

Main Dimensions & Performance Data

d	50 mm	Inner diameter shaft washer
D	78 mm	Outer diameter housing washer
T	23,5 mm	Height
C _a	50.000 N	Basic dynamic load rating, axial
C _{0a}	106.000 N	Basic static load rating, axial
C _{ua}	4.850 N	Fatigue load limit, axial
n _G	4.950 1/min	Limiting speed
n _{gr}	5.700 1/min	Reference speed
≈m	0,356 kg	Weight

Mounting dimensions

d _{a min}	67 mm	Minimum diameter shaft shoulder
D _{a max}	62 mm	Maximum diameter of housing shoulder
r _{a max}	1 mm	Maximum filled radius

Dimensions

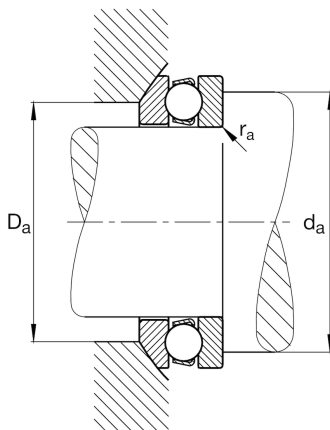
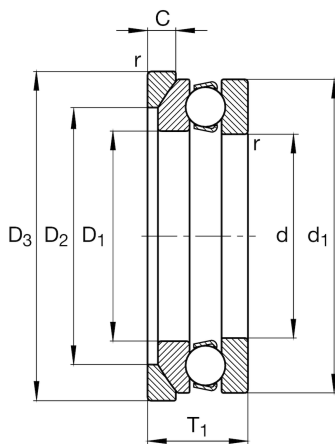
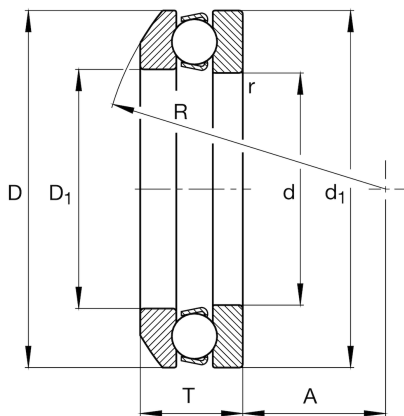
r _{min}	1 mm	Minimum chamfer dimension
D ₁	52 mm	Inner diameter housing washer
d ₁	78 mm	Outer diameter shaft washer
R	64 mm	Radius spherical housing washer
A	32,5 mm	Distance of the center point
T ₁	26 mm	Height with seat washer

Temperature range

T _{min}	-30 °C	Operating temperature min.
T _{max}	150 °C	Operating temperature max.

Calculation factors

A	0,069	Minimum load factor
---	-------	---------------------





View product details on medias

12.04.2024, 16:15:03 CEST

SCHAEFFLER

Additional information

U210

Seat washer

