**FAG****53205**

Axial deep groove ball bearing

Axial deep groove ball bearing 532, single direction, with spherical housing washer, steel sheet metal cage

## Technical information

## Main Dimensions &amp; Performance Data

d	25 mm	Inner diameter shaft washer
D	47 mm	Outer diameter housing washer
T	16,7 mm	Height
C <sub>a</sub>	26.500 N	Basic dynamic load rating, axial
C <sub>0a</sub>	50.000 N	Basic static load rating, axial
C <sub>ua</sub>	2.280 N	Fatigue load limit, axial
n <sub>G</sub>	7.500 1/min	Limiting speed
n <sub>gr</sub>	9.800 1/min	Reference speed
≈m	0,119 kg	Weight

## Mounting dimensions

d <sub>a min</sub>	38 mm	Minimum diameter shaft shoulder
D <sub>a max</sub>	36 mm	Maximum diameter of housing shoulder
r <sub>a max</sub>	0,6 mm	Maximum filled radius

## Dimensions

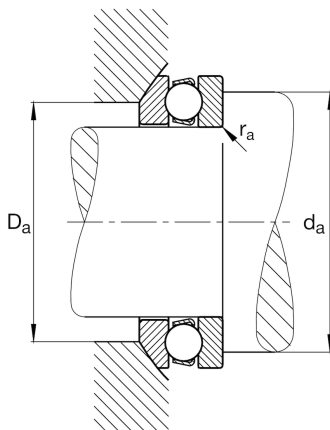
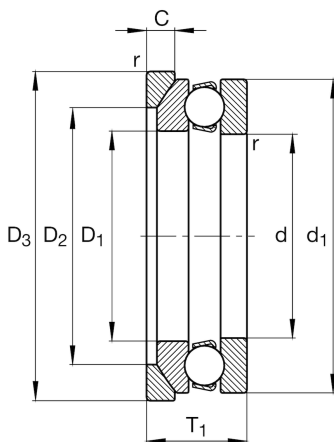
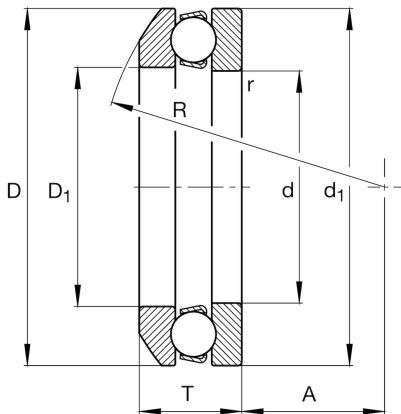
r <sub>min</sub>	0,6 mm	Minimum chamfer dimension
D <sub>1</sub>	27 mm	Inner diameter housing washer
d <sub>1</sub>	47 mm	Outer diameter shaft washer
R	40 mm	Radius spherical housing washer
A	19 mm	Distance of the center point
T <sub>1</sub>	19 mm	Height with seat washer

## Temperature range

T <sub>min</sub>	-30 °C	Operating temperature min.
T <sub>max</sub>	150 °C	Operating temperature max.

## Calculation factors

A	0,013	Minimum load factor
---	-------	---------------------





View product details on medias

12.04.2024, 15:04:52 CEST

SCHAEFFLER

### Additional information

U205

Seat washer

