**FAG****53203**

Axial deep groove ball bearing

Axial deep groove ball bearing 532, single direction, with spherical housing washer, steel sheet metal cage

Technical information

Main Dimensions & Performance Data

d	17 mm	Inner diameter shaft washer
D	35 mm	Outer diameter housing washer
T	13,2 mm	Height
C_a	17.200 N	Basic dynamic load rating, axial
C_{0a}	27.500 N	Basic static load rating, axial
C_{ua}	1.240 N	Fatigue load limit, axial
n_G	9.700 1/min	Limiting speed
n_{gr}	13.200 1/min	Reference speed
$\approx m$	55 g	Weight

Mounting dimensions

$d_{a \min}$	28 mm	Minimum diameter shaft shoulder
$D_{a \max}$	26 mm	Maximum diameter of housing shoulder
$r_{a \max}$	0,6 mm	Maximum filled radius

Dimensions

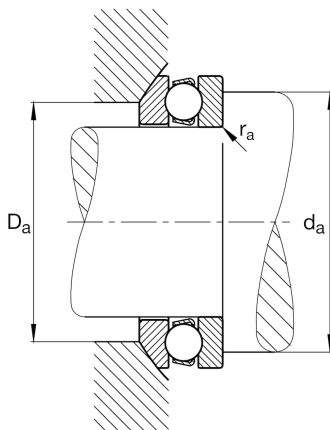
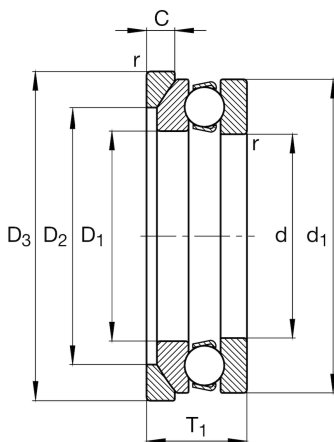
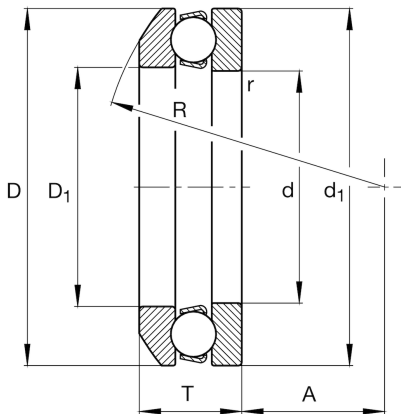
r_{\min}	0,6 mm	Minimum chamfer dimension
D_1	19 mm	Inner diameter housing washer
d_1	35 mm	Outer diameter shaft washer
R	32 mm	Radius spherical housing washer
A	16 mm	Distance of the center point
T_1	15 mm	Height with seat washer

Temperature range

T_{\min}	-30 °C	Operating temperature min.
T_{\max}	150 °C	Operating temperature max.

Calculation factors

A	0,004	Minimum load factor
---	-------	---------------------





View product details on medias

12.04.2024, 14:59:31 CEST

SCHAEFFLER

Additional information

U203

Seat washer

