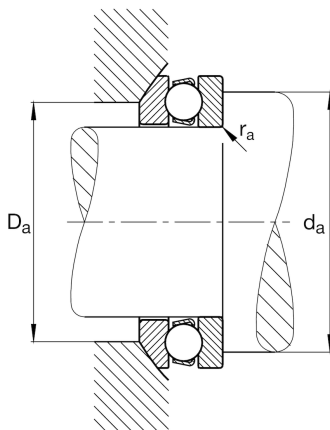
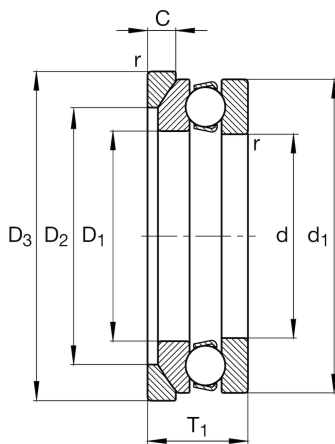
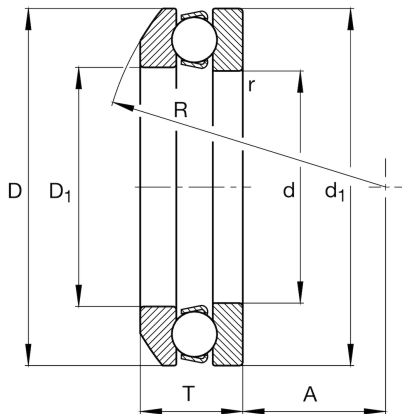
**FAG****53202**

Axial deep groove ball bearing

Axial deep groove ball bearing 532, single direction, with spherical housing washer, steel sheet metal cage

Technical information

Main Dimensions & Performance Data



d	15 mm	Inner diameter shaft washer
D	32 mm	Outer diameter housing washer
T	13,3 mm	Height
C _a	16.600 N	Basic dynamic load rating, axial
C _{0a}	24.800 N	Basic static load rating, axial
C _{ua}	1.130 N	Fatigue load limit, axial
n _G	9.800 1/min	Limiting speed
n _{gr}	14.300 1/min	Reference speed
≈m	0,033 kg	Weight

Mounting dimensions

d _{a min}	25 mm	Minimum diameter shaft shoulder
D _{a max}	24 mm	Maximum diameter of housing shoulder
r _{a max}	0,6 mm	Maximum filled radius

Dimensions

r _{min}	0,6 mm	Minimum chamfer dimension
D ₁	17 mm	Inner diameter housing washer
d ₁	32 mm	Outer diameter shaft washer
R	28 mm	Radius spherical housing washer
A	12 mm	Distance of the center point
T ₁	15 mm	Height with seat washer

Temperature range

T _{min}	-30 °C	Operating temperature min.
T _{max}	150 °C	Operating temperature max.

Calculation factors

A	0,003	Minimum load factor
---	-------	---------------------



View product details on medias

12.04.2024, 14:52:36 CEST

SCHAEFFLER

Additional information

U202

Seat washer

